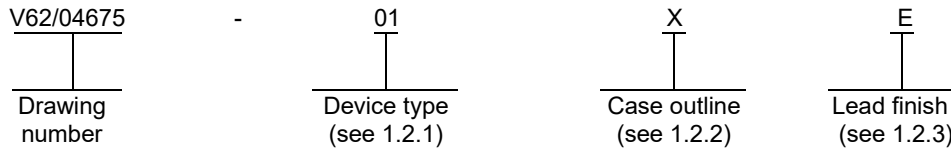


1. SCOPE

1.1 Scope. This drawing documents the general requirements of a high performance 3.3-V ABT octal transparent D-type latch with 3-state outputs microcircuit, with an operating temperature range of -40°C to +125°C.

1.2 Vendor Item Drawing Administrative Control Number. The manufacturer's PIN is the item of identification. The vendor item drawing establishes an administrative control number for identifying the item on the engineering documentation:



1.2.1 Device type(s).

| <u>Device type</u> | <u>Generic</u> | <u>Circuit function</u> |
|--------------------|----------------|---|
| 01 | SN74LVTH373-EP | 3.3-V ABT octal transparent D-type latch with 3-state outputs |

1.2.2 Case outlines. The case outlines are as specified herein.

| <u>Outline letter</u> | <u>Number of pins</u> | <u>JEDEC PUB 95</u> | <u>Package style</u> |
|-----------------------|-----------------------|---------------------|-----------------------|
| X | 20 | MO-153 | Plastic small-outline |

1.2.3 Lead finishes. The lead finishes are as specified below or other lead finishes as provided by the device manufacturer:

| <u>Finish designator</u> | <u>Material</u> |
|--------------------------|----------------------|
| A | Hot solder dip |
| B | Tin-lead plate |
| C | Gold plate |
| D | Palladium |
| E | Gold flash palladium |
| F | Tin-lead alloy |
| Z | Other |

| | | | |
|---|-------------------|----------------------------|------------------------------|
| DLA LAND AND MARITIME COLUMBUS, OHIO | SIZE A | CAGE CODE 16236 | DWG NO. V62/04675 |
| | | REV C | PAGE 2 |

1.3 Absolute maximum ratings. 1/

| | |
|---|-------------------------------|
| Supply voltage range (V_{CC}) | -0.5 V to 4.6 V |
| Input voltage range (V_i) | -0.5 V to 7 V 2/ |
| Voltage range applied to any output in the high-impedance or power-off state (V_o) | -0.5 V to 7 V 2/ |
| Voltage range applied to any output in the high state (V_o) | -0.5 V to $V_{CC} + 0.5 V$ 2/ |
| Current into any output in the low state (I_o) | 128 mA |
| Current into any output in the high state (I_o) | 64 mA 3/ |
| Input clamp current (I_{IK}) ($V_i < 0$) | -50 mA |
| Output clamp current (I_{OK}) ($V_o < 0$) | -50 mA |
| Package thermal impedance (θ_{JA}) | 83°C/W 4/ |
| Storage temperature range (T_{STG}) | -65°C to 150°C |

1.4 Recommended operating conditions. 5/ 6/

| | |
|--|----------------|
| Supply voltage range (V_{CC}) | 2.7 V to 3.6 V |
| Minimum high level input voltage (V_{IH}) | 2.0 V |
| Maximum low level input voltage (V_{IL}) | 0.8 V |
| Maximum input voltage (V_i) | 5.5 V |
| Maximum high level output current (I_{OH}) | -32 mA |
| Maximum low level output current (I_{OL}) | 64 mA |
| Maximum input transition rise or fall rate ($\Delta t/\Delta V$) (Outputs enabled) | 10 ns/V |
| Minimum power-up ramp rate ($\Delta t/\Delta V_{CC}$) | 200 $\mu s/V$ |
| Operating free-air temperature range (T_A) | -40°C to +85°C |

-
- 1/ Stresses beyond those listed under “absolute maximum ratings” may cause permanent damage to the device. These are stress ratings only, and functional operation of the device at these or any other conditions beyond those indicated under “recommended operating conditions” is not implied. Exposure to absolute-maximum-rated conditions for extended periods may affect device reliability.
- 2/ The input and output negative-voltage ratings may be exceeded if the input and output clamp-current ratings are observed.
- 3/ This current flows only when the output is in the high state and $V_o > V_{CC}$.
- 4/ The package thermal impedance is calculated in accordance with JESD 51-7.
- 5/ All unused control inputs of the device must be held at V_{CC} or GND to ensure proper device operation.
- 6/ Use of this product beyond the manufacturers design rules or stated parameters is done at the user’s risk. The manufacturer and/or distributor maintain no responsibility or liability for product used beyond the stated limits.

| | | | |
|---|-------------------|----------------------------|------------------------------|
| DLA LAND AND MARITIME COLUMBUS, OHIO | SIZE A | CAGE CODE 16236 | DWG NO. V62/04675 |
| | | REV C | PAGE 3 |

2. APPLICABLE DOCUMENTS

JEDEC – SOLID STATE TECHNOLOGY ASSOCIATION (JEDEC)

- JEP95 – Registered and Standard Outlines for Semiconductor Devices
- JESD51-7 – High Effective Thermal Conductivity Test Board for Leaded Surface Mount Packages

(Copies of these documents are available online at <https://www.jedec.org>).

3. REQUIREMENTS

3.1 Marking. Parts shall be permanently and legibly marked with the manufacturer’s part number as shown in 6.3 herein and as follows:

- A. Manufacturer’s name, CAGE code, or logo
- B. Pin 1 identifier
- C. ESDS identification (optional)

3.2 Unit container. The unit container shall be marked with the manufacturer’s part number and with items A and C (if applicable) above.

3.3 Electrical characteristics. The maximum and recommended operating conditions and electrical performance characteristics are as specified in 1.3, 1.4, and table I herein.

3.4 Design, construction, and physical dimension. The design, construction, and physical dimensions are as specified herein.

3.5 Diagrams.

3.5.1 Case outline. The case outline shall be as shown in 1.2.2 and figure 1.

3.5.2 Truth table. The truth table shall be as shown in figure 2.

3.5.3 Logic diagram. The logic diagram shall be as shown in figure 3.

3.5.4 Terminal connections. The terminal connections shall be as shown in figure 4.

3.5.5 Test circuit and timing waveforms. The test circuit and timing waveforms shall be as shown in figure 5.

| | | | |
|---|-------------------|----------------------------|------------------------------|
| DLA LAND AND MARITIME COLUMBUS, OHIO | SIZE A | CAGE CODE 16236 | DWG NO. V62/04675 |
| | | REV C | PAGE 4 |

TABLE I. Electrical performance characteristics. 1/

| Test | Symbol | Conditions -40°C ≤ T _A ≤ 85°C unless otherwise specified | V _{CC} | Limits | | Unit |
|--|------------------------|--|-----------------|-----------------------|------|------|
| | | | | Min | Max | |
| Input clamp voltage | V _{IK} | I _I = -18 mA | 2.7 V | | -1.2 | V |
| High level output voltage | V _{OH} | I _{OH} = -100 μA | 2.7 V to 3.6 V | V _{CC} - 0.2 | | |
| | | I _{OH} = -8 mA | 2.7 V | 2.4 | | |
| | | I _{OH} = -32 mA | 3.0 V | 2.0 | | |
| Low level output voltage | V _{OL} | I _{OL} = 100 μA | 2.7 V | | 0.2 | |
| | | I _{OL} = 24 mA | | | 0.5 | |
| | | I _{OL} = 16 mA | 3.0 V | | 0.4 | |
| | | I _{OL} = 32 mA | | | 0.5 | |
| | | I _{OL} = 64 mA | | | 0.55 | |
| Input current | I _I | V _I = 5.5 V | 0 V or 3.6 V | | 10 | μA |
| | | Control inputs, V _I = V _{CC} or GND | 3.6 V | | ±1 | |
| | | Data inputs, V _I = V _{CC} | | | 1 | |
| | | Data inputs, V _I = 0 V | | | -5 | |
| Input/output power-off leakage current | I _{off} | V _I or V _O = 0 to 4.5 V | 0 V | | ±100 | μA |
| Input current (hold) | I _{I(hold)} | Data inputs, V _I = 0.8 V | 3 V | 75 | | μA |
| | | Data inputs, V _I = 2 V | | -75 | | |
| | | Data inputs, V _I = 0 V to 3.6 V | 3.6 V 2/ | +500 -750 | | |
| 3-state output current high | I _{OZH} | V _O = 3 V | 3.6 V | | 5 | μA |
| 3-state output current low | I _{OZL} | V _O = 0.5 V | 3.6 V | | -5 | μA |
| 3-state output current power-up | I _{OZPU} | V _O = 0.5 V to 3 V, \overline{OE} = don't care | 0 V to 1.5 V | | ±100 | μA |
| 3-state output current power-down | I _{OZPD} | V _O = 0.5 V to 3 V, \overline{OE} = don't care | 1.5 V to 0 V | | ±100 | μA |
| Quiescent supply current | I _{CC} | Outputs high V _I = V _{CC} or GND, I _O = 0 A | 3.6 V | | 0.19 | mA |
| | | Outputs low. V _I = V _{CC} or GND, I _O = 0 A | | | 5 | |
| | | Outputs disabled. V _I = V _{CC} or GND, I _O = 0 A | | | 0.19 | |
| Quiescent supply current delta | ΔI _{CC} 3/ | One input at V _{CC} - 0.6 V, Other inputs at V _{CC} or GND | 3 V to 3.6 V | | 0.2 | mA |
| Input capacitance | C _i | V _I = 3 V or 0 V, T _A = 25°C | 3.3 V | 3 | TYP | pF |
| Output capacitance | C _o | V _O = 3 V or 0 V, T _A = 25°C | | 7 | TYP | |

See footnotes at end of table.

| | | | |
|---|-----------|--------------------|----------------------|
| DLA LAND AND MARITIME COLUMBUS, OHIO | SIZE A | CAGE CODE 16236 | DWG NO. V62/04675 |
| | | REV C | PAGE 5 |

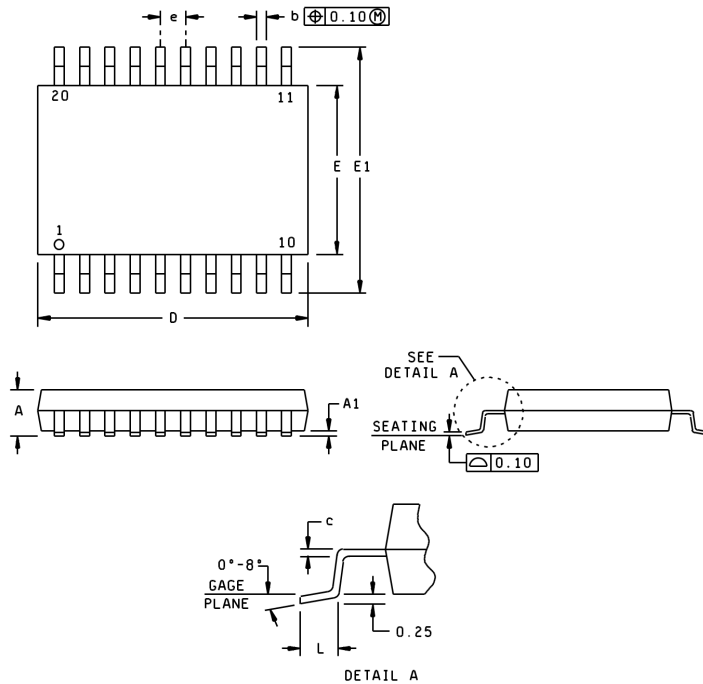
TABLE I. Electrical performance characteristics - Continued. 1/

| Test | Symbol | Conditions -40°C ≤ T _A ≤ 85°C unless otherwise specified | V _{CC} | Limits | | Unit |
|--|------------------|---|-----------------|--------|-----|------|
| | | | | Min | Max | |
| Pulse duration, LE high | t _w | See figure 5. | 2.7 V | 3 | | ns |
| | | | 3.3 V ±0.3 V | 3 | | |
| Setup time, data before LE↓ | t _{su} | | 2.7 V | 0.4 | | |
| | | | 3.3 V ±0.3 V | 1.1 | | |
| Hold time, data after LE↓ | t _h | | 2.7 V | 1.4 | | |
| | | | 3.3 V ±0.3 V | 1.4 | | |
| Propagation delay time, D to Q | t _{PLH} | 2.7 V | | 4.5 | ns | |
| | t _{PHL} | 3.3 V ±0.3 V | 1.5 | 3.9 | | |
| Propagation delay time, LE to Q | t _{PLH} | 2.7 V | | 4.5 | | |
| | | 3.3 V ±0.3 V | 1.5 | 3.9 | | |
| | t _{PHL} | 2.7 V | | 4.9 | | |
| | | 3.3 V ±0.3 V | 1.7 | 4.2 | | |
| Propagation delay time, output enable, \overline{OE} to Q | t _{PZH} | 2.7 V | | 5.9 | | |
| | t _{PZL} | 3.3 V ±0.3 V | 1.3 | 4.8 | | |
| Propagation delay time, output disable, \overline{OE} to Q | t _{PHZ} | 2.7 V | | 5.5 | | |
| | | 3.3 V ±0.3 V | 1.3 | 4.8 | | |
| | t _{PLZ} | 2.7 V | | 4.9 | | |
| | | 3.3 V ±0.3 V | 1.9 | 4.6 | | |
| | | 2.7 V | | 4.6 | | |
| | | 3.3 V ±0.3 V | 1.9 | 4.5 | | |

- 1/ Testing and other quality control techniques are used to the extent deemed necessary to assure product performance over the specified temperature range. Product may not necessarily be tested across the full temperature range and all parameters may not necessarily be tested. In the absence of specific parametric testing, product performance is assured by characterization and/or design.
- 2/ This is the bus-hold maximum dynamic current. It is the minimum overdrive current required to switch the input from one state to another.
- 3/ This is the increase in supply current for each input that is at the specified TTL voltage level, rather than V_{CC} or GND.

| | | | | |
|---|-------------------|----------------------------|---|------------------------------|
| DLA LAND AND MARITIME COLUMBUS, OHIO | SIZE A | CAGE CODE 16236 | | DWG NO. V62/04675 |
| | | REV | C | PAGE 6 |

Case X



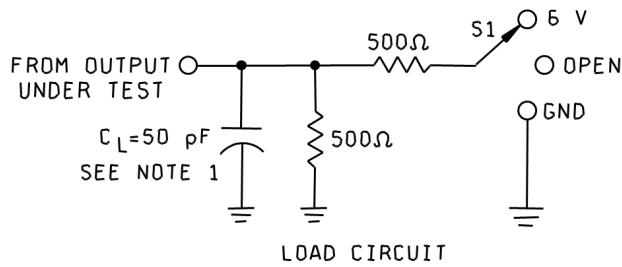
| Dimensions | | | | | | | | | |
|------------|-------------|------|--------|-------|--------|-------------|------|--------|-------|
| Symbol | Millimeters | | Inches | | Symbol | Millimeters | | Inches | |
| | Min | Max | Min | Max | | Min | Max | Min | Max |
| A | --- | 1.20 | --- | 0.047 | E | 4.30 | 4.50 | 0.169 | 0.177 |
| A1 | 0.05 | 0.15 | 0.002 | 0.006 | E1 | 6.20 | 6.60 | 0.244 | 0.260 |
| b | 0.19 | 0.30 | 0.007 | 0.012 | e | 0.65 | BSC | 0.026 | BSC |
| c | 0.15 | NOM | 0.006 | NOM | L | 0.50 | 0.75 | 0.020 | 0.030 |
| D | 6.40 | 6.60 | 0.252 | 0.260 | | | | | |

NOTES:

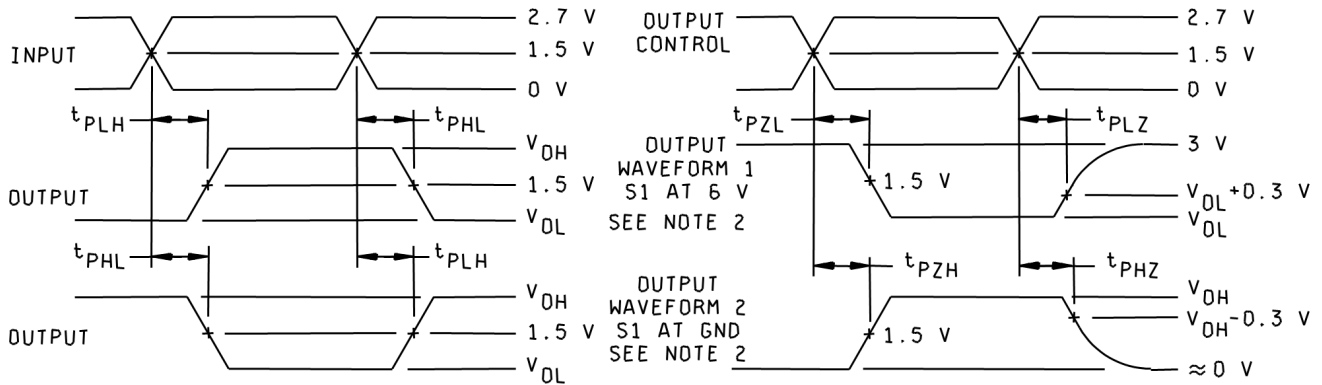
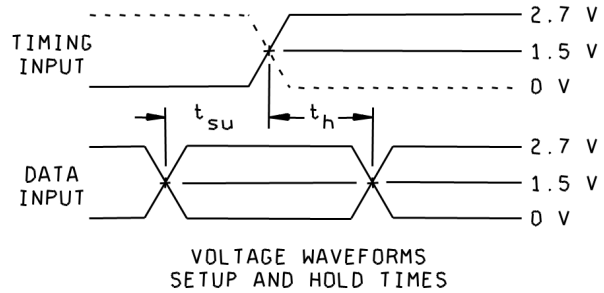
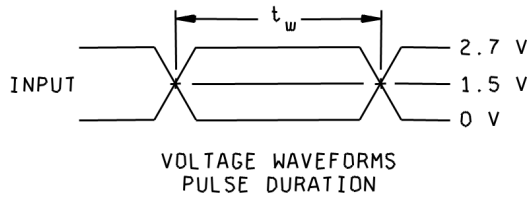
1. All linear dimensions are in millimeters (inches).
2. This case outline is subject to change without notice.
3. Body dimensions do not include mold flash or protrusion, not to exceed 0.15 millimeters (0.006 in).
4. Fall within JEDEC MO-153.

FIGURE 1. Case outlines.

| | | | |
|---|-----------|--------------------|----------------------|
| DLA LAND AND MARITIME COLUMBUS, OHIO | SIZE A | CAGE CODE 16236 | DWG NO. V62/04675 |
| | | REV C | PAGE 7 |



| TEST | S1 |
|-------------------|------|
| t_{PLH}/t_{PHL} | OPEN |
| t_{PLZ}/t_{PZL} | 6 V |
| t_{PHZ}/t_{PZH} | GND |



NOTES:

1. C_L includes probe and jig capacitance.
2. Waveform 1 is for an output with internal conditions such that the output is low except when disabled by the output control. Waveform 2 is for an output with internal conditions such that the output is high except when disabled by the output control.
3. All input pulses are supplied by generators having the following characteristics: $PRR \leq 10 \text{ MHz}$, $Z_o = 50 \Omega$, $t_r \leq 2.5 \text{ ns}$, and $t_f \leq 2.5 \text{ ns}$.
4. The outputs are measured one at a time with one input transition per measurement.

FIGURE 5. Test circuit and timing waveforms.

| | | | |
|---|-------------------|----------------------------|------------------------------|
| DLA LAND AND MARITIME COLUMBUS, OHIO | SIZE A | CAGE CODE 16236 | DWG NO. V62/04675 |
| | | REV C | PAGE 9 |

4. VERIFICATION

4.1 Product assurance requirements. The manufacturer is responsible for performing all inspection and test requirements as indicated in their internal documentation. Such procedures should include proper handling of electrostatic sensitive devices, classification, packaging, and labeling of moisture sensitive devices, as applicable.

5. PREPARATION FOR DELIVERY

5.1 Packaging. Preservation, packaging, labeling, and marking shall be in accordance with the manufacturer's standard commercial practices for electrostatic discharge sensitive devices.

6. NOTES

6.1 ESDS. Devices are electrostatic discharge sensitive and are classified as ESDS class 1 minimum.

6.2 Configuration control. The data contained herein is based on the salient characteristics of the device manufacturer's data book. The device manufacturer reserves the right to make changes without notice. This drawing will be modified as changes are provided.

6.3 Suggested source(s) of supply. Identification of the suggested source(s) of supply herein is not to be construed as a guarantee of present or continued availability as a source of supply for the item. DLA Land and Maritime maintains an online database of all current sources of supply at <https://landandmaritimeapps.dla.mil/programs/smcr/>.

| | | | |
|---|-------------------------------|--------------------|------------------|
| Vendor item drawing administrative control number <u>1/</u> | Device manufacturer CAGE code | Vendor part number | Top side marking |
| V62/04675-01XE | 01295 | SN74LVTH373IPWREP | LH373EP |

1/ The vendor item drawing establishes an administrative control number for identifying the item on the engineering documentation.

CAGE code

01295

Source of supply

Texas Instruments, Inc.
Semiconductor Group
8505 Forest Lane
P.O. Box 660199
Dallas, TX 75243

| | | | |
|---|-------------------|----------------------------|------------------------------|
| DLA LAND AND MARITIME COLUMBUS, OHIO | SIZE A | CAGE CODE 16236 | DWG NO. V62/04675 |
| | | REV C | PAGE 10 |