

REVISIONS

LTR	DESCRIPTION	DATE (YR-MO-DA)	APPROVED
A	Redraw the switching waveforms in figure 4, switching waveforms and test circuit. Update boilerplate to MIL-PRF-38535 requirements. Editorial changes throughout. - LTG	06-05-05	Thomas M. Hess
B	Update boilerplate to MIL-PRF-38535 requirements. Editorial changes throughout. – jak	12-06-04	Thomas M. Hess
C	Update boilerplate paragraphs to the current MIL-PRF-38535 requirements. Update high and low voltage (V_{OH} and V_{OL}) test condition V_{IH} and V_{IL} limits to table I. - LTG	17-03-28	Thomas M. Hess
D	Update boilerplate paragraphs to the current MIL-PRF-38535 requirements.	23-08-22	Muhammad Akbar



THE ORIGINAL FIRST SHEET OF THIS DRAWING HAS BEEN REPLACED.

Revision Status of Sheets

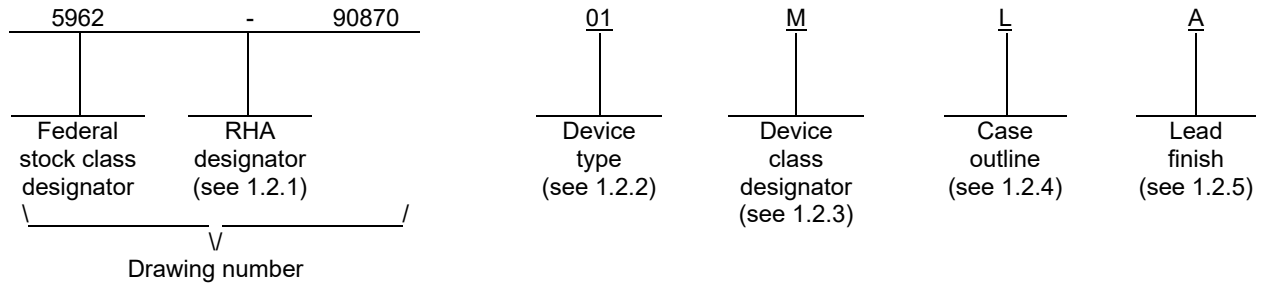
REV																				
SHEET																				
REV	D	D	D	D	D	D	D	D	D	D	D	D	D	D	D					
SHEET	1	2	3	4	5	6	7	8	9	10	11	12	13	14	15					

PMIC N/A		PREPARED BY Marcia B. Kelleher		DLA LAND AND MARITIME COLUMBUS, OHIO 43218-3990 https://www.dla.mil/LandandMaritime		
STANDARD MICROCIRCUIT DRAWING		CHECKED BY Thomas J. Ricciuti				
		THIS DRAWING IS AVAILABLE FOR USE BY ALL DEPARTMENTS AND AGENCIES OF THE DEPARTMENT OF DEFENSE		APPROVED BY Michael A. Frye		MICROCIRCUIT, DIGITAL, BIPOLAR CMOS, OCTAL REGISTERED TRANSCEIVER WITH THREE-STATE OUTPUTS, TTL COMPATIBLE INPUTS, MONOLITHIC SILICON
DRAWING APPROVAL DATE 90-10-31						
AMSC N/A		REVISION LEVEL D		SIZE A	CAGE CODE 67268	5962 - 90870
				SHEET 1 OF 13		

1. SCOPE

1.1 Scope. This drawing documents two product assurance class levels consisting of high reliability (device class Q and M) and space application (device class V). A choice of case outlines and lead finishes are available and are reflected in the Part or Identifying Number (PIN). When available, a choice of Radiation Hardness Assurance (RHA) levels is reflected in the PIN.

1.2 PIN. The PIN is as shown in the following example:



1.2.1 RHA designator. Device classes Q and V RHA marked devices meet the MIL-PRF-38535 specified RHA levels and are marked with the appropriate RHA designator. Device class M RHA marked devices meet the MIL-PRF-38535, appendix A specified RHA levels and are marked with the appropriate RHA designator. A dash (-) indicates a non-RHA device.

1.2.2 Device type(s). The device type(s) identify the circuit function as follows:

Device type	Generic number	Circuit function
01	54BCT543	Octal registered transceiver with three-state outputs, TTL compatible inputs

1.2.3 Device class designator. The device class designator is a single letter identifying the product assurance level as follows:

Device class	Device requirements documentation
M	Vendor self-certification to the requirements for MIL-STD-883 compliant, non-JAN class level B microcircuits in accordance with MIL-PRF-38535, appendix A
Q or V	Certification and qualification to MIL-PRF-38535

1.2.4 Case outline(s). The case outline(s) are as designated in MIL-STD-1835 and as follows:

Outline letter	Descriptive designator	Terminals	Package style
L	GDIP3-T24 or CDIP4-T24	24	Dual-in-line
K	GDFP2-F24 or CDFP3-F24	24	Flat pack
3	CQCC1-N28	28	Square chip carrier

1.2.5 Lead finish. The lead finish is as specified in MIL-PRF-38535 for device classes Q and V or MIL-PRF-38535, appendix A for device class M.

STANDARD MICROCIRCUIT DRAWING DLA LAND AND MARITIME COLUMBUS, OHIO 43218-3990	SIZE A		5962-90870
		REVISION LEVEL D	SHEET 2

1.3 Absolute maximum ratings. 1/

Supply voltage range (V_{CC}).....	-0.5 V dc to +7.0 V dc
DC input voltage range (V_{IN}):	
Including I/O ports.....	-0.5 V dc to +5.5 V dc
Excluding I/O ports.....	-0.5 V dc to +7.0 V dc
Voltage applied to any output in the high state (V_{OUT})	-0.5 V dc to V_{CC}
Voltage applied to any output in the disabled state (V_{OUT}).....	-0.5 V dc to +5.5 V dc
Current into any output in the low state	96 mA
Input clamp current (I_{IC})	-30 mA
Storage temperature range (T_{STG})	-65°C to +150°C
Maximum power dissipation (P_D).....	602 mW 2/
Lead temperature (soldering, 10 seconds)	+300°C
Thermal resistance, junction-to-case (θ_{JC}).....	See MIL-STD-1835
Junction temperature (T_J)	+175°C

1.4 Recommended operating conditions.

Supply voltage range (V_{CC}).....	+4.5 V dc to +5.5 V dc
Minimum high level input voltage (V_{IH}).....	2.0 V dc
Maximum low level input voltage (V_{IL})	0.8 V dc
Setup time, data before latch enable going high (t_s)	5.5 ns
Hold time, data after latch enable going high (t_h).....	1.5 ns
Pulse duration, latch enable low (t_w).....	8 ns
Maximum high level output current (I_{OH}):	
A port	-3.0 mA
B port	-12 mA
Maximum low level output current (I_{OL}):	
A port	+20 mA
B port	+48 mA
Case operating temperature range (T_C).....	-55°C to +125°C

1/ Stresses above the absolute maximum rating may cause permanent damage to the device. Extended operation at the maximum levels may degrade performance and affect reliability.

2/ Must be able to withstand the additional P_D due to the short circuit test, e.g., I_{OS} . The P_D limit is based upon dc values.

STANDARD MICROCIRCUIT DRAWING DLA LAND AND MARITIME COLUMBUS, OHIO 43218-3990	SIZE A		5962-90870
		REVISION LEVEL D	SHEET 3

2. APPLICABLE DOCUMENTS

2.1 Government specification, standards, and handbooks. The following specification, standards, and handbooks form a part of this drawing to the extent specified herein. Unless otherwise specified, the issues of these documents are those cited in the solicitation or contract.

DEPARTMENT OF DEFENSE SPECIFICATION

MIL-PRF-38535 - Integrated Circuits, Manufacturing, General Specification for.

DEPARTMENT OF DEFENSE STANDARDS

MIL-STD-883 - Test Method Standard Microcircuits.

MIL-STD-1835 - Interface Standard Electronic Component Case Outlines.

DEPARTMENT OF DEFENSE HANDBOOKS

MIL-HDBK-103 - List of Standard Microcircuit Drawings.

MIL-HDBK-780 - Standard Microcircuit Drawings.

(Copies of these documents are available online at <https://quicksearch.dla.mil>).

2.2 Order of precedence. In the event of a conflict between the text of this drawing and the references cited herein, the text of this drawing takes precedence. Nothing in this document, however, supersedes applicable laws and regulations unless a specific exemption has been obtained.

3. REQUIREMENTS

3.1 Item requirements. The individual item requirements for device classes Q and V shall be in accordance with MIL-PRF-38535 as specified herein, or as modified in the device manufacturer's Quality Management (QM) plan. The modification in the QM plan shall not affect the form, fit, or function as described herein. The individual item requirements for device class M shall be in accordance with MIL-PRF-38535, appendix A for non-JAN class level B devices and as specified herein.

3.2 Design, construction, and physical dimensions. The design, construction, and physical dimensions shall be as specified in MIL-PRF-38535 and herein for device classes Q and V or MIL-PRF-38535, appendix A and herein for device class M.

3.2.1 Case outline(s). The case outline(s) shall be in accordance with 1.2.4 herein.

3.2.2 Terminal connections. The terminal connections shall be as specified on figure 1.

3.2.3 Truth table. The truth table shall be as specified on figure 2.

3.2.4 Logic diagram. The logic diagram shall be as specified on figure 3.

3.2.5 Switching waveforms and test circuit. The switching waveforms and test circuit shall be as specified on figure 4.

3.3 Electrical performance characteristics and postirradiation parameter limits. Unless otherwise specified herein, the electrical performance characteristics and postirradiation parameter limits are as specified in table I and shall apply over the full case operating temperature range.

3.4 Electrical test requirements. The electrical test requirements shall be the subgroups specified in table II. The electrical tests for each subgroup are defined in table I.

STANDARD MICROCIRCUIT DRAWING DLA LAND AND MARITIME COLUMBUS, OHIO 43218-3990	SIZE A		5962-90870
		REVISION LEVEL D	SHEET 4

3.5 Marking. The part shall be marked with the PIN listed in 1.2 herein. In addition, the manufacturer's PIN may also be marked. For packages where marking of the entire SMD PIN number is not feasible due to space limitations, the manufacturer has the option of not marking the "5962-" on the device. For RHA product using this option, the RHA designator shall still be marked. Marking for device classes Q and V shall be in accordance with MIL-PRF-38535. Marking for device class M shall be in accordance with MIL-PRF-38535, appendix A.

3.5.1 Certification/compliance mark. The certification mark for device classes Q and V shall be a "QML" or "Q" as required in MIL-PRF-38535. The compliance mark for device class M shall be a "C" as required in MIL-PRF-38535, appendix A.

3.6 Certificate of compliance. For device classes Q and V, a certificate of compliance shall be required from a QML-38535 listed manufacturer in order to supply to the requirements of this drawing (see 6.6.1 herein). For device class M, a certificate of compliance shall be required from a manufacturer in order to be listed as an approved source of supply in MIL-HDBK-103 (see 6.6.2 herein). The certificate of compliance submitted to DLA Land and Maritime-VA prior to listing as an approved source of supply for this drawing shall affirm that the manufacturer's product meets, for device classes Q and V, the requirements of MIL-PRF-38535 and herein or for device class M, the requirements of MIL-PRF-38535, appendix A and herein.

3.7 Certificate of conformance. A certificate of conformance as required for device classes Q and V in MIL-PRF-38535 or for device class M in MIL-PRF-38535, appendix A shall be provided with each lot of microcircuits delivered to this drawing.

3.8 Notification of change for device class M. For device class M, notification to DLA Land and Maritime-VA of change of product (see 6.2 herein) involving devices acquired to this drawing is required for any change that affects this drawing.

3.9 Verification and review for device class M. For device class M, DLA Land and Maritime, DLA Land and Maritime's agent, and the acquiring activity retain the option to review the manufacturer's facility and applicable required documentation. Offshore documentation shall be made available onshore at the option of the reviewer.

3.10 Microcircuit group assignment for device class M. Device class M devices covered by this drawing shall be in microcircuit group number 126 (see MIL-PRF-38535, appendix A).

STANDARD MICROCIRCUIT DRAWING DLA LAND AND MARITIME COLUMBUS, OHIO 43218-3990	SIZE A		5962-90870
		REVISION LEVEL D	SHEET 5

TABLE I. Electrical performance characteristics.

Test	Symbol	Test conditions -55°C ≤ T _C ≤ +125°C unless otherwise specified		Group A subgroups	Device type	Limits		Unit		
						Min	Max			
High level output voltage	V _{OH}	V _{IN} = V _{IH} = 2.0 V or V _{IL} = 0.8 V V _{CC} = 4.5 V	I _{OH} = -3 mA	1, 2, 3	All	2.4		V		
			I _{OH} = -12 mA			2.0				
Low level output voltage	V _{OL}	V _{IN} = V _{IH} = 2.0 V or V _{IL} = 0.8 V V _{CC} = 4.5 V	I _{OL} = 48 mA	1, 2, 3	All		0.55	V		
Input clamp voltage	V _{IC}	V _{CC} = 4.5 V, I _{IN} = -18 mA		1, 2, 3	All		-1.2	V		
High level input current	Control inputs	I _{IH1}	V _{CC} = 5.5 V, V _{IN} = 5.5 V	1, 2, 3	All		0.4	mA		
	A or B port	I _{IH2}					V _{CC} = 5.5 V, V _{IN} = 2.7 V		70	μA
	Control inputs								20	
Low level input current	A or B port	I _{IL}	V _{CC} = 5.5 V, V _{IN} = 0.5 V	1, 2, 3	All		-0.65	mA		
	Control inputs						-0.60			
Short-circuit output current	I _{OS}	V _{CC} = 5.5 V, V _{OUT} = 0.0 V		1, 2, 3	All	-100	-225	mA		
Supply current, outputs high	I _{CCH}	V _{CC} = 5.5 V Outputs open		1, 2, 3	All		8	mA		
Supply current, outputs low	I _{CCL}						71			
Supply current, outputs disabled	I _{CCZ}						15			
Functional tests	4/	See 4.4.1b		7, 8	All					
Propagation delay time, Am to Bm or Bm to Am	t _{PLH1}	C _L = 50 pF R ₁ = R ₂ = 500Ω See figure 4	V _{CC} = 5.0 V	9	All	2.0	7.5	ns		
			V _{CC} = 4.5 V and 5.5 V	10, 11		2.0	9.9			
	t _{PHL1}		V _{CC} = 5.0 V	9	All	2.0	8.2			
	V _{CC} = 4.5 V and 5.5 V		10, 11	2.0	9.7					
Propagation delay time, LEAB to Bm or LEBA to Am	t _{PLH2}	C _L = 50 pF R ₁ = R ₂ = 500Ω See figure 4	V _{CC} = 5.0 V	9	All	2.0	10.3	ns		
			V _{CC} = 4.5 V and 5.5 V	10, 11		2.0	13.9			
	t _{PHL2}		V _{CC} = 5.0 V	9	All	2.0	10.6			
	V _{CC} = 4.5 V and 5.5 V		10, 11	2.0		13.2				
Propagation delay time, output enable, OEBA to Am or OEAB to Bm	t _{PZH1}	C _L = 50 pF R ₁ = R ₂ = 500Ω See figure 4	V _{CC} = 5.0 V	9	All	1.0	8.6	ns		
			V _{CC} = 4.5 V and 5.5 V	10, 11		1.0	11.4			
	t _{PZL1}		V _{CC} = 5.0 V	9	All	1.0	10.8			
	V _{CC} = 4.5 V and 5.5 V		10, 11	1.0		12.8				

See footnotes at end of table.

STANDARD MICROCIRCUIT DRAWING DLA LAND AND MARITIME COLUMBUS, OHIO 43218-3990	SIZE A		5962-90870
		REVISION LEVEL D	SHEET 6

TABLE I. Electrical performance characteristics – Continued.

Test	Symbol	Test conditions -55°C ≤ T _c ≤ +125°C unless otherwise specified		Group A subgroups	Device type	Limits		Unit
						Min	Max	
Propagation delay time, output disable, \overline{OEBA} to Am or \overline{OEAB} to Bm	t _{PHZ1}	C _L = 50 pF R1 = R2 = 500Ω See figure 4	V _{CC} = 5.0 V	9	All	1.0	7.2	ns
			V _{CC} = 4.5 V and 5.5 V	10, 11		1.0	8.8	
	t _{PLZ1}		V _{CC} = 5.0 V	9	All	1.0	6.4	
			V _{CC} = 4.5 V and 5.5 V	10, 11		1.0	8.1	
Propagation delay time, output enable, \overline{CEBA} to Am or \overline{CEAB} to Bm	t _{PZH2}	V _{CC} = 5.0 V	9	All	1.0	9.8	ns	
		V _{CC} = 4.5 V and 5.5 V	10, 11		1.0	12.8		
	t _{PZL2}	V _{CC} = 5.0 V	9	All	1.0	11.6		
		V _{CC} = 4.5 V and 5.5 V	10, 11		1.0	13.8		
Propagation delay time, output disable, \overline{CEBA} to Am or \overline{CEAB} to Bm	t _{PHZ2}	V _{CC} = 5.0 V	9	All	1	7.5	ns	
		V _{CC} = 4.5 V and 5.5 V	10, 11		1.0	9.3		
	t _{PLZ2}	V _{CC} = 5.0 V	9	All	1.0	6.7		
		V _{CC} = 4.5 V and 5.5 V	10, 11		1.0	8.4		

- 1/ For I/O ports, the parameters I_{IH2} and I_{IL} include the off-state output current.
- 2/ Not more than one output should be shorted at one time and the duration of the test condition should not exceed one second.
- 3/ I_{CCH} and I_{CCL} are measured in the A to B mode.
- 4/ Functional tests shall be conducted at input test conditions of 0.4 V ≤ V_{IL} ≤ 0.8 V and 2.0 V ≤ V_{IH} ≤ 2.4 V for V_{CC} = 4.5 V and is repeated for V_{CC} = 5.5 V.

STANDARD MICROCIRCUIT DRAWING DLA LAND AND MARITIME COLUMBUS, OHIO 43218-3990	SIZE A		5962-90870
		REVISION LEVEL D	SHEET 7

Device type	All	
Case outlines	L and K	3
Terminal number	Terminal symbol	Terminal symbol
1	$\overline{\text{LEBA}}$	NC
2	$\overline{\text{OEBA}}$	$\overline{\text{LEBA}}$
3	A1	$\overline{\text{OEBA}}$
4	A2	A1
5	A3	A2
6	A4	A3
7	A5	A4
8	A6	NC
9	A7	A5
10	A8	A6
11	$\overline{\text{CEAB}}$	A7
12	GND	A8
13	$\overline{\text{OEAB}}$	$\overline{\text{CEAB}}$
14	$\overline{\text{LEAB}}$	GND
15	B8	NC
16	B7	$\overline{\text{OEAB}}$
17	B6	$\overline{\text{LEAB}}$
18	B5	B8
19	B4	B7
20	B3	B6
21	B2	B5
22	B1	NC
23	$\overline{\text{CEBA}}$	B4
24	V _{cc}	B3
25	----	B2
26	----	B1
27	----	$\overline{\text{CEBA}}$
28	----	V _{cc}

NC = No internal connection

FIGURE 1. Terminal connections.

STANDARD MICROCIRCUIT DRAWING DLA LAND AND MARITIME COLUMBUS, OHIO 43218-3990	SIZE A		5962-90870
		REVISION LEVEL D	SHEET 8

Inputs			Outputs	Latch status
Am	\overline{CEAB}	\overline{LEAB}	Bm	A to B ^{1/}
X	X	X	Z	Outputs disabled
L	H	L	Z	Outputs disabled
H	H	L	Z	Data latched
L	L	H	L	Data latched
H	L	H	H	^{2/}
L	L	L	L	Transparent
H	L	L	H	Transparent

H = High voltage level

L = Low voltage level

Z = High impedance

X = Irrelevant

^{1/} A-to-B data flow is shown. B-to-A flow control is the same except uses \overline{CEBA} , \overline{LEBA} , and \overline{OEBA} .

^{2/} Data present before low-to-high transition of \overline{LEAB} .

FIGURE 2. Truth table.

**STANDARD
MICROCIRCUIT DRAWING**

DLA LAND AND MARITIME
COLUMBUS, OHIO 43218-3990

SIZE
A

5962-90870

REVISION LEVEL
D

SHEET
9

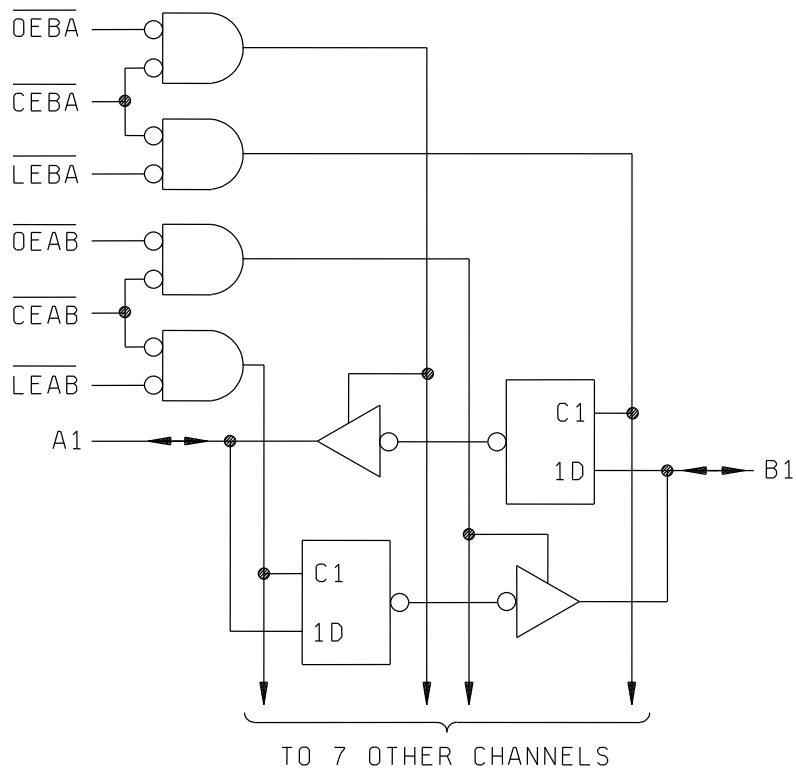


FIGURE 3. Logic diagram.

STANDARD MICROCIRCUIT DRAWING DLA LAND AND MARITIME COLUMBUS, OHIO 43218-3990	SIZE A		5962-90870
		REVISION LEVEL D	SHEET 10

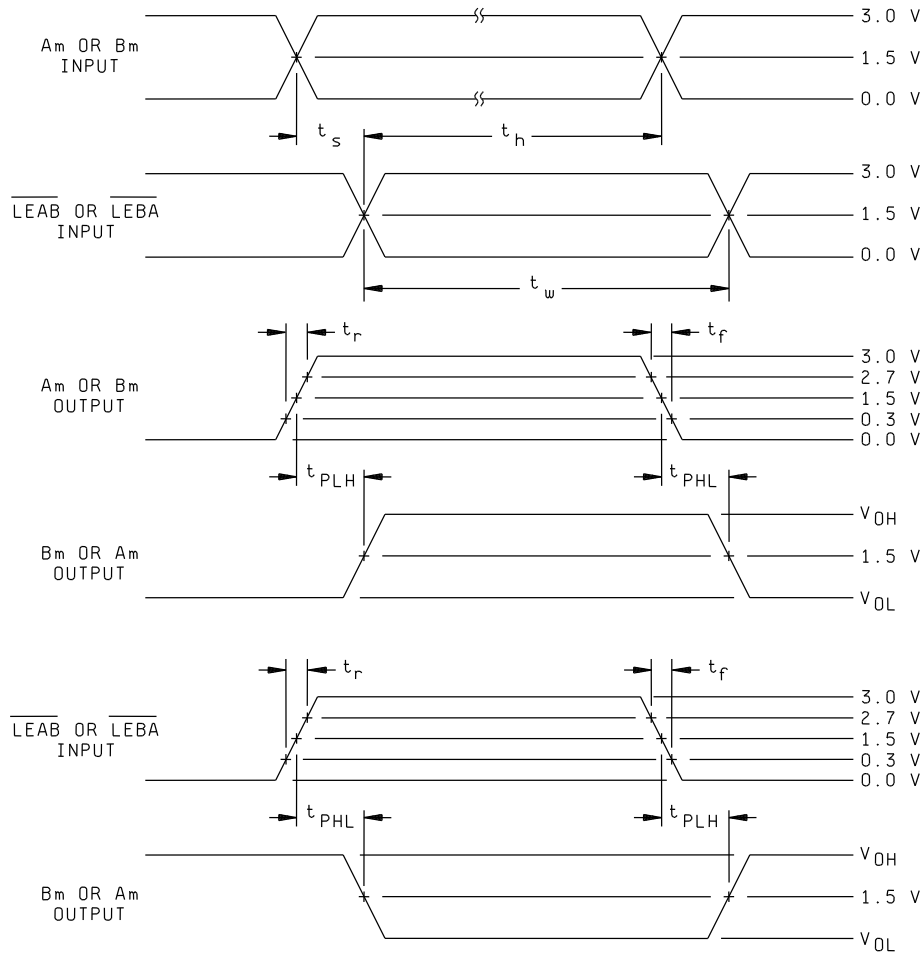
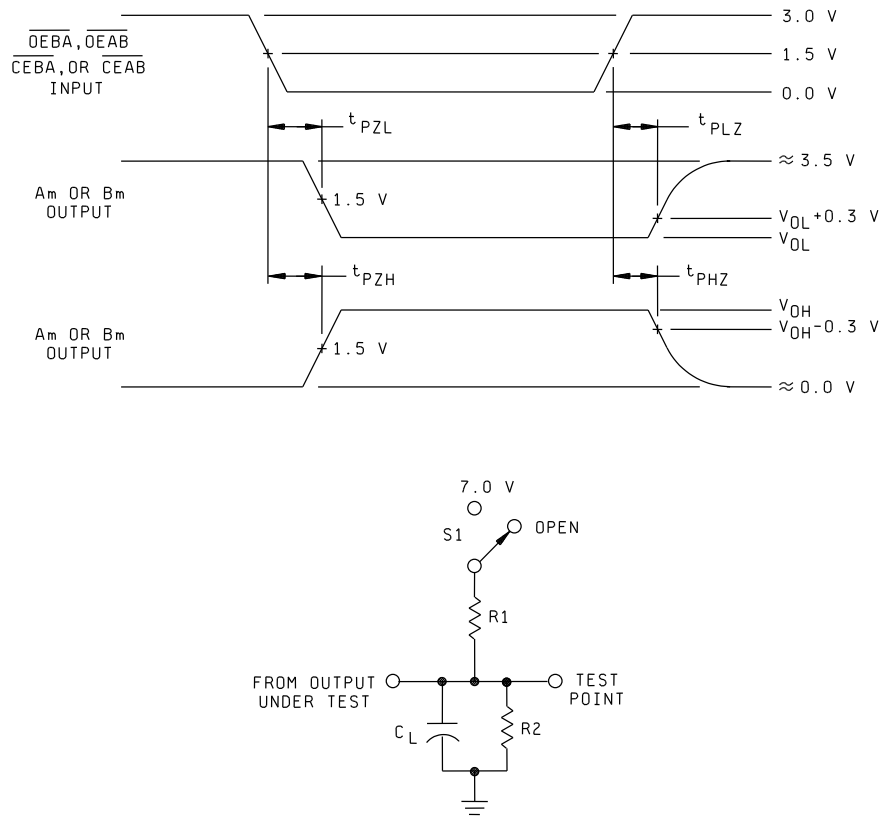


FIGURE 4. Switching waveforms and test circuit.

STANDARD MICROCIRCUIT DRAWING DLA LAND AND MARITIME COLUMBUS, OHIO 43218-3990	SIZE A		5962-90870
		REVISION LEVEL D	SHEET 11



NOTES:

1. When measuring t_{PLZ} and t_{PZL} : $S1 = 7.0\text{ V}$. When measuring t_{PLH} , t_{PHL} , t_{PZH} , and t_{PHZ} : $S1 = \text{Open}$.
2. The t_{PZL} and t_{PLZ} reference waveform is for the output under test with internal conditions such that the output is low at V_{OL} except when disabled by the output enable control. The t_{PZH} and t_{PHZ} reference waveform is for the output under test with internal conditions such that the output is high at V_{OH} except when disabled by the output enable control.
3. $C_L = 50\text{ pF}$ minimum or equivalent (includes test jig and probe capacitance).
4. $R1 = R2 = 500\Omega$ or equivalent.
5. All input pulses are supplied by the generators having the following characteristics: $V_{IN} = 0.0\text{ V}$ to 3.0 V ; $PRR \leq 10\text{ MHz}$; $Z_o = 50\Omega$; $t_r \leq 2.5\text{ ns}$; $t_f \leq 2.5\text{ ns}$; t_r and t_f shall be measured from 0.3 V to 2.7 V and from 2.7 V to 0.3 V , respectively; duty cycle = 50 percent.
6. The outputs are measured one at a time with one transition per measurement.

FIGURE 4. Switching waveforms and test circuit – Continued.

STANDARD MICROCIRCUIT DRAWING DLA LAND AND MARITIME COLUMBUS, OHIO 43218-3990	SIZE A		5962-90870
		REVISION LEVEL D	SHEET 12

4. VERIFICATION

4.1 Sampling and inspection. For device classes Q and V, sampling and inspection procedures shall be in accordance with MIL-PRF-38535 or as modified in the device manufacturer's Quality Management (QM) plan. The modification in the QM plan shall not affect the form, fit, or function as described herein. For device class M, sampling and inspection procedures shall be in accordance with MIL-PRF-38535, appendix A.

4.2 Screening. For device classes Q and V, screening shall be in accordance with MIL-PRF-38535, and shall be conducted on all devices prior to qualification and technology conformance inspection. For device class M, screening shall be in accordance with method 5004 of MIL-STD-883, and shall be conducted on all devices prior to quality conformance inspection.

4.2.1 Additional criteria for device class M.

- a. Burn-in test, method 1015 of MIL-STD-883.
 - (1) Test condition A, B, C, or D. The test circuit shall be maintained by the manufacturer under document revision level control and shall be made available to the preparing or acquiring activity upon request. The test circuit shall specify the inputs, outputs, biases, and power dissipation, as applicable, in accordance with the intent specified in method 1015 of MIL-STD-883.
 - (2) T_A = +125°C, minimum.
- b. Interim and final electrical test parameters shall be as specified in table II herein.

4.2.2 Additional criteria for device classes Q and V.

- a. The burn-in test duration, test condition and test temperature, or approved alternatives shall be as specified in the device manufacturer's QM plan in accordance with MIL-PRF-38535. The burn-in test circuit shall be maintained under document revision level control of the device manufacturer's Technology Review Board (TRB) in accordance with MIL-PRF-38535 and shall be made available to the acquiring or preparing activity upon request. The test circuit shall specify the inputs, outputs, biases, and power dissipation, as applicable, in accordance with the intent specified in method 1015 of MIL-STD-883.
- b. Interim and final electrical test parameters shall be as specified in table II herein.
- c. Additional screening for device class V beyond the requirements of device class Q shall be as specified in MIL-PRF-38535, appendix B.

4.3 Qualification inspection for device classes Q and V. Qualification inspection for device classes Q and V shall be in accordance with MIL-PRF-38535. Inspections to be performed shall be those specified in MIL-PRF-38535 and herein for groups A, B, C, D, and E inspections (see 4.4.1 through 4.4.4).

4.4 Conformance inspection. Technology conformance inspection for classes Q and V shall be in accordance with MIL-PRF-38535 including groups A, B, C, D, and E inspections, and as specified herein. Quality conformance inspection for device class M shall be in accordance with MIL-PRF-38535, appendix A and as specified herein. Inspections to be performed for device class M shall be those specified in method 5005 of MIL-STD-883 and herein for groups A, B, C, D, and E inspections (see 4.4.1 through 4.4.4).

4.4.1 Group A inspection.

- a. Tests shall be as specified in table II herein.
- b. For device class M, subgroups 7 and 8 tests shall be sufficient to verify the truth table as specified on figure 2 herein. For device classes Q and V, subgroups 7 and 8 shall include verifying the functionality of the device.
- c. Subgroups 4, 5, and 6 in table I, method 5005 of MIL-STD-883 shall be omitted.

STANDARD MICROCIRCUIT DRAWING DLA LAND AND MARITIME COLUMBUS, OHIO 43218-3990	SIZE A		5962-90870
		REVISION LEVEL D	SHEET 13

TABLE II. Electrical test requirements.

Test requirements	Subgroups (in accordance with MIL-STD-883, method 5005, table I)	Subgroups (in accordance with MIL-PRF-38535, table III)	
	Device class M	Device class Q	Device class V
Interim electrical parameters (see 4.2)	---	1	1
Final electrical parameters (see 4.2)	1, 2, 3, 7, 8, 9, 10, 11 <u>1/</u>	1, 2, 3, 7, 8, 9, 10, 11 <u>1/</u>	1, 2, 3, 7, 8, 9, 10, 11 <u>2/ 3/</u>
Group A test requirements (see 4.4)	1, 2, 3, 7, 8, 9, 10, 11	1, 2, 3, 7, 8, 9, 10, 11	1, 2, 3, 7, 8, 9, 10, 11
Group C end-point electrical parameters (see 4.4)	1, 2, 3	1, 2, 3	1, 2, 3, 7, 8, 9, 10, 11 <u>3/</u>
Group D end-point electrical parameters (see 4.4)	1, 2, 3	1, 2, 3	1, 2, 3
Group E end-point electrical parameters (see 4.4)	1, 7, 9	1, 7, 9	1, 7, 9

1/ PDA applies to subgroup 1.

2/ PDA applies to subgroups 1, 7, and deltas.

3/ Delta limits shall be required where specified, and the delta values shall be completed with reference to the zero hour electrical parameters.

4.4.2 Group C inspection. The group C inspection end-point electrical parameters shall be as specified in table II herein.

4.4.2.1 Additional criteria for device class M. Steady-state life test conditions, method 1005 of MIL-STD-883:

- a. Test condition A, B, C, or D. The test circuit shall be maintained by the manufacturer under document revision level control and shall be made available to the preparing or acquiring activity upon request. The test circuit shall specify the inputs, outputs, biases, and power dissipation, as applicable, in accordance with the intent specified in method 1005 of MIL-STD-883.
- b. $T_A = +125^\circ\text{C}$, minimum.
- c. Test duration: 1,000 hours, except as permitted by method 1005 of MIL-STD-883.

4.4.2.2 Additional criteria for device classes Q and V. The steady-state life test duration, test condition and test temperature, or approved alternatives shall be as specified in the device manufacturer's QM plan in accordance with MIL-PRF-38535. The test circuit shall be maintained under document revision level control by the device manufacturer's TRB in accordance with MIL-PRF-38535 and shall be made available to the acquiring or preparing activity upon request. The test circuit shall specify the inputs, outputs, biases, and power dissipation, as applicable, in accordance with the intent specified in method 1005 of MIL-STD-883.

STANDARD MICROCIRCUIT DRAWING DLA LAND AND MARITIME COLUMBUS, OHIO 43218-3990	SIZE A		5962-90870
		REVISION LEVEL D	SHEET 14

4.4.3 Group D inspection. The group D inspection end-point electrical parameters shall be as specified in table II herein.

4.4.4 Group E inspection. Group E inspection is required only for parts intended to be marked as radiation hardness assured (see 3.5 herein).

- a. End-point electrical parameters shall be as specified in table II herein.
- b. For device classes Q and V, the devices or test vehicle shall be subjected to radiation hardness assured tests as specified in MIL-PRF-38535 for the RHA level being tested. For device class M, the devices shall be subjected to radiation hardness assured tests as specified in MIL-PRF-38535, appendix A for the RHA level being tested. All device classes must meet the postirradiation end-point electrical parameter limits as defined in table I at $T_A = +25^{\circ}\text{C} \pm 5^{\circ}\text{C}$, after exposure, to the subgroups specified in table II herein.

5. PACKAGING

5.1 Packaging requirements. The requirements for packaging shall be in accordance with MIL-PRF-38535 for device classes Q and V or MIL-PRF-38535, appendix A for device class M.

6. NOTES

6.1 Intended use. Microcircuits conforming to this drawing are intended for use for Government microcircuit applications (original equipment), design applications, and logistics purposes.

6.1.1 Replaceability. Microcircuits covered by this drawing will replace the same generic device covered by a contractor prepared specification or drawing.

6.1.2 Substitutability. Device class Q devices will replace device class M devices.

6.2 Configuration control of SMD's. All proposed changes to existing SMD's will be coordinated with the users of record for the individual documents. This coordination will be accomplished using DD Form 1692, Engineering Change Proposal or email communication.

6.3 Record of users. Military and industrial users should inform DLA Land and Maritime when a system application requires configuration control and which SMD's are applicable to that system. DLA Land and Maritime will maintain a record of users and this list will be used for coordination and distribution of changes to the drawings. Users of drawings covering microelectronic devices (FSC 5962) should contact DLA Land and Maritime-VA, telephone (614) 692-8108.

6.4 Comments. Comments on this drawing should be directed to DLA Land and Maritime-VA, Columbus, Ohio 43218-3990, or telephone (614) 692-0540.

6.5 Abbreviations, symbols, and definitions. The abbreviations, symbols, and definitions used herein are defined in MIL-PRF-38535 and MIL-HDBK-1331.

6.6 Sources of supply.

6.6.1 Sources of supply for device classes Q and V. Sources of supply for device classes Q and V are listed in MIL-HDBK-103 and QML-38535. The vendors listed in QML-38535 have submitted a certificate of compliance (see 3.6 herein) to DLA Land and Maritime-VA and have agreed to this drawing.

6.6.2 Approved sources of supply for device class M. Approved sources of supply for class M are listed in MIL-HDBK-103. The vendors listed in MIL-HDBK-103 have agreed to this drawing and a certificate of compliance (see 3.6 herein) has been submitted to and accepted by DLA Land and Maritime-VA.

STANDARD MICROCIRCUIT DRAWING DLA LAND AND MARITIME COLUMBUS, OHIO 43218-3990	SIZE A		5962-90870
		REVISION LEVEL D	SHEET 15

STANDARD MICROCIRCUIT DRAWING BULLETIN

DATE: 23-08-22

Approved sources of supply for SMD 5962-90870 are listed below for immediate acquisition information only and shall be added to MIL-HDBK-103 and QML-38535 during the next revision. MIL-HDBK-103 and QML-38535 will be revised to include the addition or deletion of sources. The vendors listed below have agreed to this drawing and a certificate of compliance has been submitted to and accepted by DLA Land and Maritime-VA. This information bulletin is superseded by the next dated revision of MIL-HDBK-103 and QML-38535. DLA Land and Maritime maintains an online database of all current sources of supply a <https://landandmaritimeapps.dla.mil/programs/smcr/>.

Standard microcircuit drawing PIN <u>1/</u>	Vendor CAGE number	Vendor similar PIN <u>2/</u>
5962-9087001MLA	01295	SNJ54BCT543JT
5962-9087001MKA	<u>3/</u>	SNJ54BCT543W
5962-9087001M3A	<u>3/</u>	SNJ54BCT543FK

1/ The lead finish shown for each PIN representing a hermetic package is the most readily available from the manufacturer listed for that part. If the desired lead finish is not listed contact the vendor to determine its availability.

2/ Caution. Do not use this number for item acquisition. Items acquired to this number may not satisfy the performance requirements of this drawing.

3/ No longer available from source of supply.

Vendor CAGE
number

Vendor name
and address

01295

Texas Instruments Incorporated
Semiconductor Group
8505 Forest Ln.
P.O. Box 660199
Dallas, TX 75243

The information contained herein is disseminated for convenience only and the Government assumes no liability whatsoever for any inaccuracies in the information bulletin.