

REVISIONS

LTR	DESCRIPTION	DATE (YR-MO-DA)	APPROVED
A	Correct the logic diagram in figure 3. Add notes to figure 5, switching waveforms and test circuit. Update the boilerplate to current requirements as specified in MIL-PRF-38535. Editorial changes throughout. – jak	06-04-28	Thomas M. Hess
B	Update boilerplate paragraphs to the current MIL-PRF-38535 requirements. - LTG	12-05-17	Thomas M. Hess
C	Update boilerplate paragraphs to the current MIL-PRF-38535 requirements. - LTG	17-03-28	Thomas M. Hess
D	Update boilerplate paragraphs to the current MIL-PRF-38535 requirements. - JWC	23-06-29	Muhammad Akbar



THE ORIGINAL FIRST SHEET OF THIS DRAWING HAS BEEN REPLACED.

Revision Status of Sheets

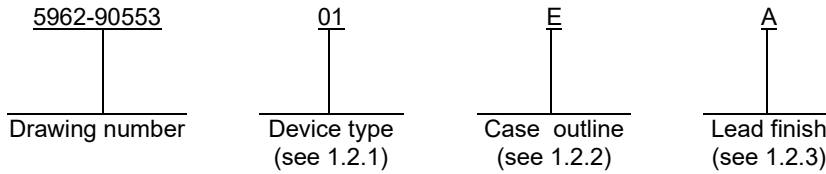
REV																				
SHEET																				
REV	D	D	D	D	D	D	D	D	D	D	D	D	D							
SHEET	1	2	3	4	5	6	7	8	9	10	11	12	13	14						

PMIC N/A																			
<p align="center">STANDARD MICROCIRCUIT DRAWING</p>		PREPARED BY Marcia B. Kelleher						<p align="center">DLA LAND AND MARITIME COLUMBUS, OHIO 43218-3990 https://www.dla.mil/LandandMaritime</p>											
		CHECKED BY Thomas J. Ricciuti																	
THIS DRAWING IS AVAILABLE FOR USE BY ALL DEPARTMENTS AND AGENCIES OF THE DEPARTMENT OF DEFENSE		APPROVED BY Michael A. Frye						<p align="center">MICROCIRCUIT, DIGITAL, HIGH SPEED CMOS, 8-BIT SYNCHRONOUS BINARY DOWN COUNTER, MONOLITHIC SILICON</p>											
		DRAWING APPROVAL DATE 90-10-23																	
AMSC N/A		REVISION LEVEL D						SIZE A		CAGE CODE 67268				5962 - 90553					
SHEET 1 OF 13																			

1 SCOPE

1.1 Scope. This drawing describes device requirements for MIL-STD-883 compliant, non-JAN class level B microcircuits in accordance with MIL-PRF-38535, appendix A.

1.2 Part or Identifying Number (PIN). The complete PIN is as shown in the following example:



1.2.1 Device type(s). The device type(s) identify the circuit function as follows:

<u>Device type</u>	<u>Generic number</u>	<u>Circuit function</u>
01	54HC40103	8-bit synchronous binary down counter

1.2.2 Case outline(s). The case outline(s) are as designated in MIL-STD-1835 and as follows:

<u>Outline letter</u>	<u>Descriptive designator</u>	<u>Terminals</u>	<u>Package style</u>
E	GDIP1-T16 or CDIP2-T16	16	Dual-in-line

1.2.3 Lead finish. The lead finish is as specified in MIL-PRF-38535, appendix A.

STANDARD MICROCIRCUIT DRAWING DLA LAND AND MARITIME COLUMBUS, OHIO 43218-3990	SIZE A	5962-90553
	REVISION LEVEL D	SHEET 3

1.3 Absolute maximum ratings. 1/ 2/ 3/

Supply voltage range (V_{CC})	-0.5 V dc to +7.0 V dc
DC input voltage range (V_{IN})	-0.5 V dc to $V_{CC} + 0.5$ V dc
DC output voltage range (V_{OUT})	-0.5 V dc to $V_{CC} + 0.5$ V dc
DC input diode current (I_{IK})	± 20 mA
DC output diode current (per pin) (I_{OK})	± 20 mA
DC drain current (per pin) (I_{OUT})	± 25 mA
DC V_{CC} or GND current (I_{CC} , I_{GND})	± 50 mA
Storage temperature range (T_{STG})	-65°C to +150°C
Maximum power dissipation (P_D)	500 mW 4/
Lead temperature (soldering, 10 seconds)	+300°C
Thermal resistance, junction-to-case (θ_{JC})	See MIL-STD-1835
Junction temperature (T_J)	+175°C

1.4 Recommended operating conditions.

Supply voltage range (V_{CC})	+2.0 V dc to +6.0 V dc
Input voltage range (V_{IN})	0.0 V to V_{CC}
Output voltage range (V_{OUT})	0.0 V to V_{CC}
Case operating temperature range (T_C)	-55°C to +125°C
Input rise or fall time (t_r , t_f):	
$V_{CC} = 2.0$ V	0 to 1000 ns
$V_{CC} = 4.5$ V	0 to 500 ns
$V_{CC} = 6.0$ V	0 to 400 ns
Maximum CP frequency (f_{MAX}):	
$T_C = +25^\circ\text{C}$, $V_{CC} = 4.5$ V dc	15 MHz
$T_C = -55^\circ\text{C}$ to +125°C, $V_{CC} = 4.5$ V dc	10 MHz
Minimum pulse width, CP (t_{w1}):	
$T_C = +25^\circ\text{C}$, $V_{CC} = 4.5$ V dc	33 ns
$T_C = -55^\circ\text{C}$ to +125°C, $V_{CC} = 4.5$ V dc	50 ns
Minimum pulse width, \overline{PL} , \overline{MR} (t_{w2}):	
$T_C = +25^\circ\text{C}$, $V_{CC} = 4.5$ V dc	25 ns
$T_C = -55^\circ\text{C}$ to +125°C, $V_{CC} = 4.5$ V dc	38 ns
Minimum removal time, \overline{MR} to CP (t_{rem}):	
$T_C = +25^\circ\text{C}$, $V_{CC} = 4.5$ V dc	10 ns
$T_C = -55^\circ\text{C}$ to +125°C, $V_{CC} = 4.5$ V dc	15 ns
Minimum setup time, Pn to CP (t_{s1}):	
$T_C = +25^\circ\text{C}$, $V_{CC} = 4.5$ V dc	20 ns
$T_C = -55^\circ\text{C}$ to +125°C, $V_{CC} = 4.5$ V dc	30 ns
Minimum setup time, \overline{PE} to CP (t_{s2}):	
$T_C = +25^\circ\text{C}$, $V_{CC} = 4.5$ V dc	15 ns
$T_C = -55^\circ\text{C}$ to +125°C, $V_{CC} = 4.5$ V dc	22 ns
Minimum setup time, \overline{TE} to CP (t_{s3}):	
$T_C = +25^\circ\text{C}$, $V_{CC} = 4.5$ V dc	30 ns
$T_C = -55^\circ\text{C}$ to +125°C, $V_{CC} = 4.5$ V dc	45 ns
Minimum hold time, Pn to CP (t_{h1}):	
$T_C = +25^\circ\text{C}$, $V_{CC} = 4.5$ V dc	5 ns
$T_C = -55^\circ\text{C}$ to +125°C, $V_{CC} = 4.5$ V dc	5 ns
Minimum hold time, \overline{PE} to CP (t_{h2}):	
$T_C = +25^\circ\text{C}$, $V_{CC} = 4.5$ V dc	2 ns
$T_C = -55^\circ\text{C}$ to +125°C, $V_{CC} = 4.5$ V dc	2 ns
Minimum hold time, \overline{TE} to CP (t_{h3}):	
$T_C = +25^\circ\text{C}$, $V_{CC} = 4.5$ V dc	0 ns
$T_C = -55^\circ\text{C}$ to +125°C, $V_{CC} = 4.5$ V dc	0 ns

1/ Stresses above the absolute maximum rating may cause permanent damage to the device. Extended operation at the maximum levels may degrade performance and affect reliability.

2/ Unless otherwise specified, all voltages are referenced to ground.

3/ The limits for the parameters specified herein shall apply over the full specified V_{CC} range and case temperature range of -55°C to +125°C.

4/ For $T_A = +100^\circ\text{C}$ to +125°C, derate linearly at 8 mW/°C.

STANDARD MICROCIRCUIT DRAWING DLA LAND AND MARITIME COLUMBUS, OHIO 43218-3990	SIZE A		5962-90553
		REVISION LEVEL D	SHEET 4

2. APPLICABLE DOCUMENTS

2.1 Government specification, standards, and handbooks. The following specification, standards, and handbooks form a part of this drawing to the extent specified herein. Unless otherwise specified, the issues of these documents are those cited in the solicitation or contract.

DEPARTMENT OF DEFENSE SPECIFICATION

MIL-PRF-38535 - Integrated Circuits, Manufacturing, General Specification for.

DEPARTMENT OF DEFENSE STANDARDS

MIL-STD-883 - Test Method Standard Microcircuits.

MIL-STD-1835 - Interface Standard Electronic Component Case Outlines.

DEPARTMENT OF DEFENSE HANDBOOKS

MIL-HDBK-103 - List of Standard Microcircuit Drawings.

MIL-HDBK-780 - Standard Microcircuit Drawings.

(Copies of these documents are available online at <https://quicksearch.dla.mil>).

2.2 Non-Government publications. The following document(s) form a part of this document to the extent specified herein. Unless otherwise specified, the issues of these documents cited in the solicitation or contract.

JEDEC – SOLID STATE TECHNOLOGY ASSOCIATION (JEDEC)

JESD7 - Standard for Description of 54/74HCXXXXX and 54/74HCTXXXXX Advanced High-Speed CMOS Devices.

(Copies of these documents are available online at <https://www.jedec.org>).

STANDARD MICROCIRCUIT DRAWING DLA LAND AND MARITIME COLUMBUS, OHIO 43218-3990	SIZE A		5962-90553
		REVISION LEVEL D	SHEET 5

2.3 Order of precedence. In the event of a conflict between the text of this drawing and the references cited herein, the text of this drawing takes precedence. Nothing in this document, however, supersedes applicable laws and regulations unless a specific exemption has been obtained.

3. REQUIREMENTS

3.1 Item requirements. The individual item requirements shall be in accordance with MIL-PRF-38535, appendix A for non-JAN class level B devices and as specified herein. Product built to this drawing that is produced by a Qualified Manufacturer Listing (QML) certified and qualified manufacturer or a manufacturer who has been granted transitional certification to MIL-PRF-38535 may be processed as QML product in accordance with the manufacturers approved program plan and qualifying activity approval in accordance with MIL-PRF-38535. This QML flow as documented in the Quality Management (QM) plan may make modifications to the requirements herein. These modifications shall not affect form, fit, or function of the device. These modifications shall not affect the PIN as described herein. A "Q" or "QML" certification mark in accordance with MIL-PRF-38535 is required to identify when the QML flow option is used.

3.2 Design, construction, and physical dimensions. The design, construction, and physical dimensions shall be as specified in MIL-PRF-38535, appendix A and herein.

3.2.1 Case outline. The case outline shall be in accordance with 1.2.2 herein.

3.2.2 Terminal connections. The terminal connections shall be as specified on figure 1.

3.2.3 Truth table. The truth table shall be as specified on figure 2.

3.2.4 Logic diagram. The logic diagram shall be as specified on figure 3.

3.2.5 Timing diagram. The timing diagram shall be as specified on figure 4.

3.2.6 Switching waveforms and test circuit. The switching waveforms and test circuit shall be as specified on figure 5.

3.3 Electrical performance characteristics. Unless otherwise specified herein, the electrical performance characteristics are as specified in table I and shall apply over the full (case or ambient) operating temperature range.

3.4 Electrical test requirements. The electrical test requirements shall be the subgroups specified in table II. The electrical tests for each subgroup are described in table I.

3.5 Marking. Marking shall be in accordance with MIL-PRF-38535, appendix A. The part shall be marked with the PIN listed in 1.2 herein. In addition, the manufacturer's PIN may also be marked. For packages where marking of the entire SMD PIN number is not feasible due to space limitations, the manufacturer has the option of not marking the "5962-" on the device.

3.5.1 Certification/compliance mark. A compliance indicator "C" shall be marked on all non-JAN devices built in compliance to MIL-PRF-38535, appendix A. The compliance indicator "C" shall be replaced with a "Q" or "QML" certification mark in accordance with MIL-PRF-38535 to identify when the QML flow option is used.

3.6 Certificate of compliance. A certificate of compliance shall be required from a manufacturer in order to be listed as an approved source of supply in MIL-HDBK-103 (see 6.6 herein). The certificate of compliance submitted to DLA Land and Maritime -VA prior to listing as an approved source of supply shall affirm that the manufacturer's product meets the requirements of MIL-PRF-38535, appendix A and the requirements herein.

3.7 Certificate of conformance. A certificate of conformance as required in MIL-PRF-38535, appendix A shall be provided with each lot of microcircuits delivered to this drawing.

3.8 Notification of change. Notification of change to DLA Land and Maritime -VA shall be required for any change that affects this drawing.

3.9 Verification and review. DLA Land and Maritime, DLA Land and Maritime's agent, and the acquiring activity retain the option to review the manufacturer's facility and applicable required documentation. Offshore documentation shall be made available onshore at the option of the reviewer.

STANDARD MICROCIRCUIT DRAWING DLA LAND AND MARITIME COLUMBUS, OHIO 43218-3990	SIZE A		5962-90553
		REVISION LEVEL D	SHEET 6

TABLE I. Electrical performance characteristics.

Test	Symbol	Test conditions <u>1/</u> -55°C ≤ T _C ≤ +125°C unless otherwise specified	V _{CC}	Group A subgroups	Limits		Unit
					Min	Max	
High level output voltage	V _{OH}	V _{IN} = V _{IH} minimum or V _{IL} maximum I _{OH} = -20 μA	2.0 V	1, 2, 3	1.9		V
			4.5 V		4.4		
			6.0 V		5.9		
		V _{IN} = V _{IH} minimum or V _{IL} maximum I _{OH} = -4.0 mA	4.5 V		3.7		
		V _{IN} = V _{IH} minimum or V _{IL} maximum I _{OH} = -5.2 mA	6.0 V		5.2		
Low level output voltage	V _{OL}	V _{IN} = V _{IH} minimum or V _{IL} maximum I _{OL} = +20 μA	2.0 V	1, 2, 3		0.1	V
			4.5 V			0.1	
			6.0 V			0.1	
		V _{IN} = V _{IH} minimum or V _{IL} maximum I _{OL} = +4.0 mA	4.5 V			0.4	
		V _{IN} = V _{IH} minimum or V _{IL} maximum I _{OL} = +5.2 mA	6.0 V			0.4	
High level output voltage	V _{IH} <u>2/</u>		2.0 V	1, 2, 3	1.5		V
			4.5 V		3.15		
			6.0 V		4.2		
Low level input voltage	V _{IL} <u>2/</u>		2.0 V	1, 2, 3		0.3	V
			4.5 V			0.9	
			6.0 V			1.2	
Quiescent supply current (standby)	I _{CC}	V _{IN} = V _{CC} or GND I _{OUT} = 0 μA	6.0 V	1, 2, 3		160	μA
Input leakage current	I _{IN}	V _{IN} = V _{CC} or GND	6.0 V	1, 2, 3		±1.0	μA
Input capacitance	C _{IN}	See 4.3.1c		4		10	pF
Functional tests		See 4.3.1d		7, 8			
Propagation delay time, CP to \overline{TC} (synchronous preset)	t _{PLH1} , t _{PHL1} <u>3/</u>	C _L = 50 pF See figure 5	2.0 V	9		300	ns
				10, 11		450	
			4.5 V	9		60	ns
				10, 11		90	
Propagation delay time, CP to \overline{TC} (asynchronous preset)	t _{PLH2} , t _{PHL2} <u>3/</u>	C _L = 50 pF See figure 5	2.0 V	9		300	ns
				10, 11		450	
			4.5 V	9		60	ns
				10, 11		90	
6.0 V	9		51	ns			
	10, 11		77				

See footnotes at end of table.

**STANDARD
MICROCIRCUIT DRAWING**
DLA LAND AND MARITIME
COLUMBUS, OHIO 43218-3990

SIZE
A

REVISION LEVEL
D

5962-90553

SHEET
7

TABLE I. Electrical performance characteristics – Continued.

Test	Symbol	Test conditions <u>1/</u> -55°C ≤ T _c ≤ +125°C unless otherwise specified	V _{CC}	Group A subgroups	Limits		Unit
					Min	Max	
Propagation delay time, \overline{TE} to \overline{TC}	t _{PLH3} , t _{PHL3} <u>3/</u>	C _L = 50 pF See figure 5	2.0 V	9		200	ns
				10, 11		300	
			4.5 V	9		40	ns
				10, 11		60	
			6.0 V	9		34	ns
				10, 11		51	
Propagation delay time, \overline{PL} to \overline{TC}	t _{PLH4} , t _{PHL4} <u>4/</u>	C _L = 50 pF See figure 5	2.0 V	9		275	ns
				10, 11		415	
			4.5 V	9		55	ns
				10, 11		83	
			6.0 V	9		47	ns
				10, 11		71	
Propagation delay time, \overline{MR} to \overline{TC}	t _{PLH5} , t _{PHL5} <u>3/</u>	C _L = 50 pF See figure 5	2.0 V	9		275	ns
				10, 11		415	
			4.5 V	9		55	ns
				10, 11		83	
			6.0 V	9		47	ns
				10, 11		71	
Output transition time	t _{TLH} , t _{THL} <u>5/</u>	C _L = 50 pF See figure 5	2.0 V	9		75	ns
				10, 11		110	
			4.5 V	9		15	ns
				10, 11		22	
			6.0 V	9		13	ns
				10, 11		19	

1/ For power supply of 5 V ±10%, the worst case output voltages (V_{OH} and V_{OL}) occur for HC at 4.5 V. Thus, the 4.5 V values should be used when designing with this supply. Worst cases V_{IH} and V_{IL} occur at V_{CC} = 5.5 V and 4.5 V, respectively.

2/ The V_{IH} and V_{IL} tests are not required, and shall be applied as forcing functions for the V_{OH} or V_{OL} tests.

3/ This parameter is guaranteed, if not tested, to the limits specified in table I.

4/ AC testing at V_{CC} = 2.0 V and V_{CC} = 6.0 V shall be guaranteed, if not tested, to the limits specified in table I.

5/ Transition time (t_{TLH}, t_{THL}), if not tested, shall be guaranteed to the specified limits.

**STANDARD
MICROCIRCUIT DRAWING**
DLA LAND AND MARITIME
COLUMBUS, OHIO 43218-3990

SIZE
A

5962-90553

REVISION LEVEL
D

SHEET
8

Device type	01
Case outline	E
Terminal number	Terminal symbol
1	CP
2	\overline{MR}
3	\overline{TE}
4	P0
5	P1
6	P2
7	P3
8	GND
9	\overline{PL}
10	P4
11	P5
12	P6
13	P7
14	\overline{TC}
15	\overline{PE}
16	V _{CC}

FIGURE 1. Terminal connections.

STANDARD MICROCIRCUIT DRAWING DLA LAND AND MARITIME COLUMBUS, OHIO 43218-3990	SIZE A		5962-90553
		REVISION LEVEL D	SHEET 9

Inputs				Preset mode	Action
$\overline{\text{MR}}$	$\overline{\text{PL}}$	$\overline{\text{PE}}$	$\overline{\text{TE}}$		
H	H	H	H	Synchronous	Inhibit counter
H	H	H	L		Count down
H	H	L	X		Preset on next positive clock transition
H	L	X	X	Asynchronous	Preset asynchronously
L	X	X	X		Clear to maximum count

NOTES:

1. L = Low voltage level.
H = High voltage level.
X = Irrelevant.
2. Clock connected to clock input.
3. Synchronous operation: Changes occur on negative-to-positive clock transitions.
4. Load inputs: MSB = P7, LSB = P0.

FIGURE 2. Truth table.

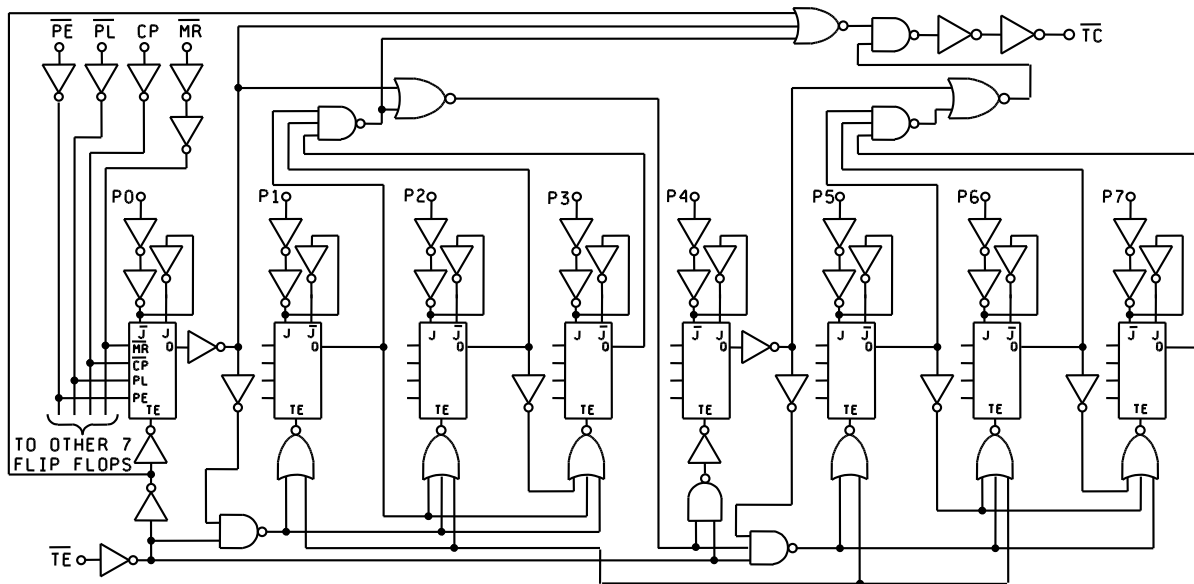


FIGURE 3. Logic diagram.

**STANDARD
MICROCIRCUIT DRAWING**
DLA LAND AND MARITIME
COLUMBUS, OHIO 43218-3990

SIZE
A

5962-90553

REVISION LEVEL
D

SHEET
10

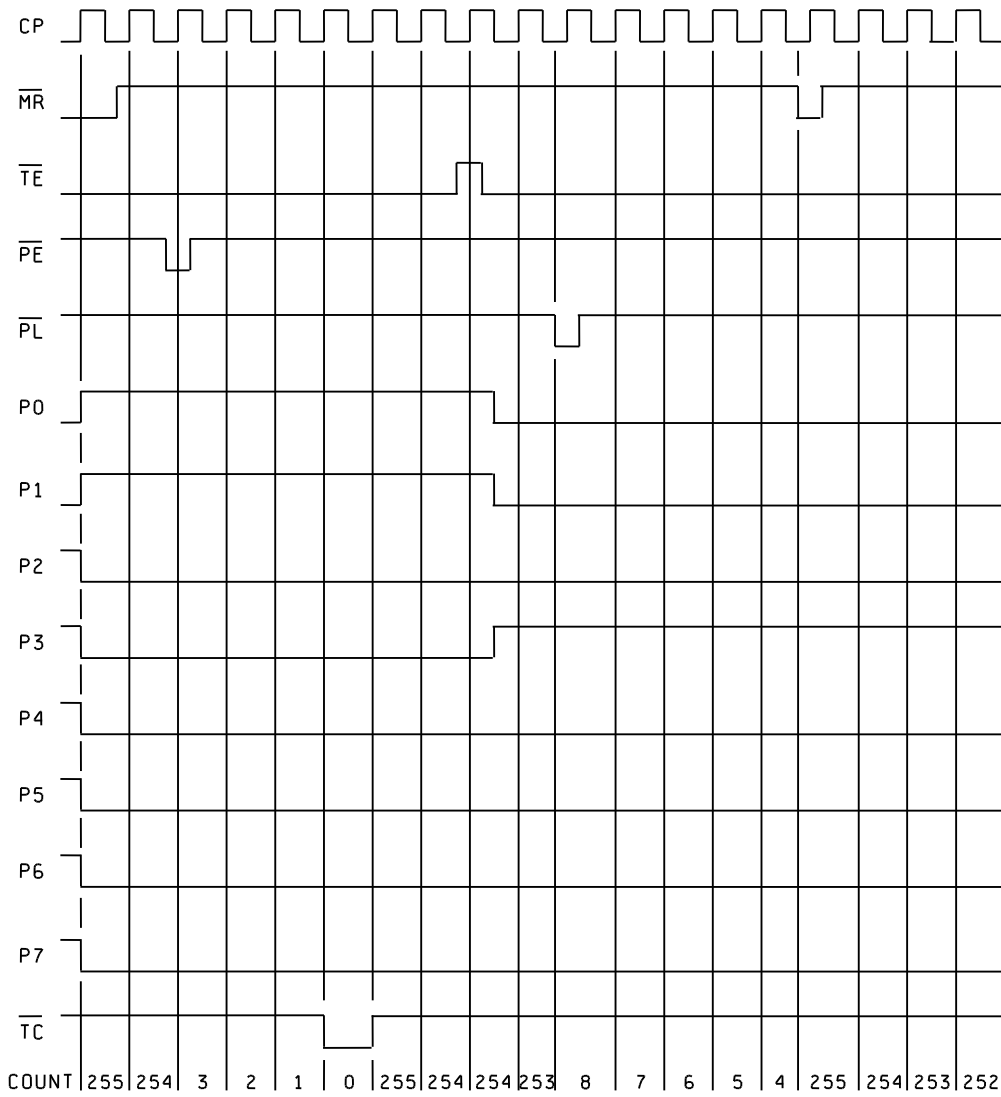
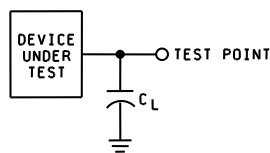
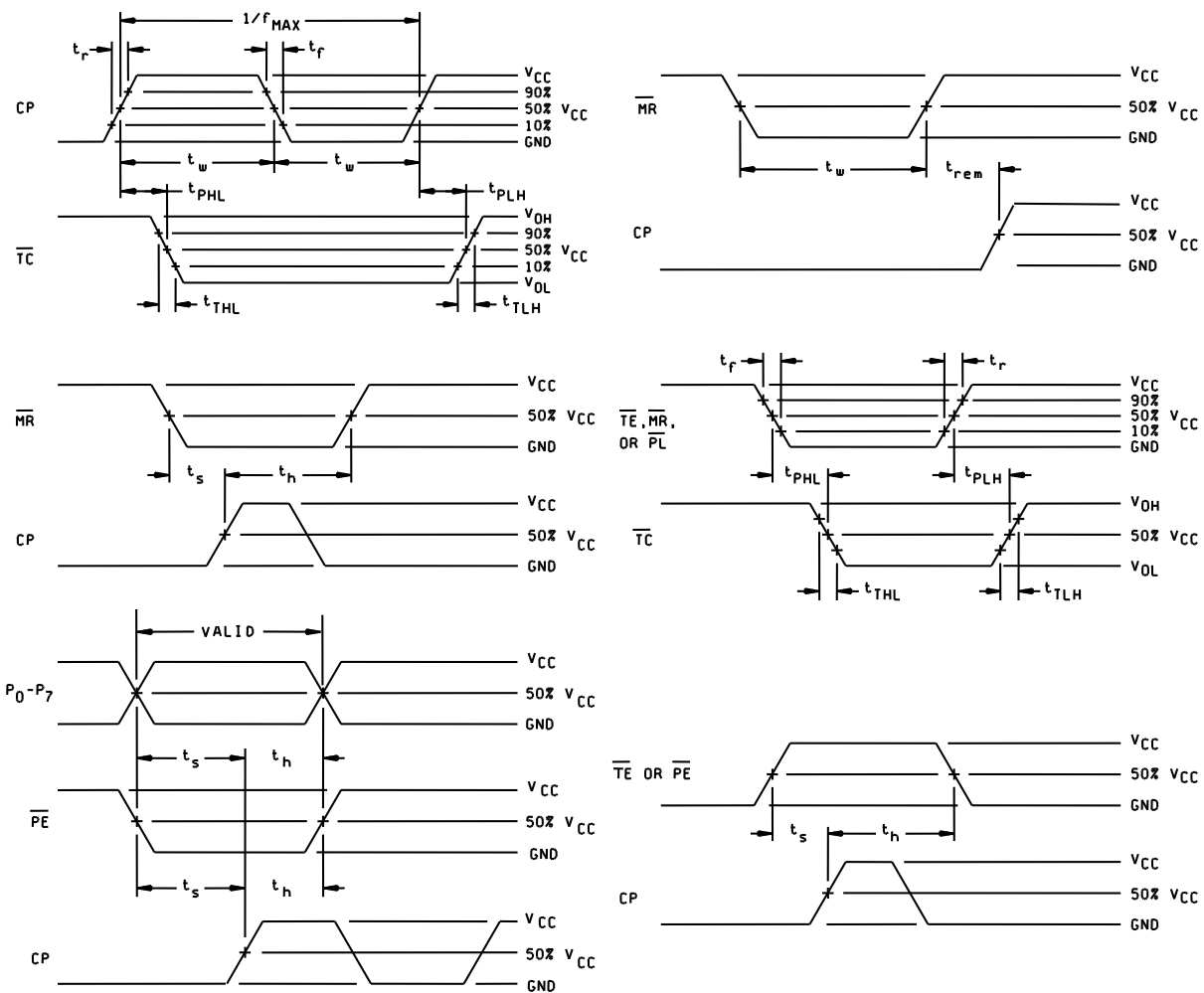


FIGURE 4. Timing diagram.

STANDARD MICROCIRCUIT DRAWING DLA LAND AND MARITIME COLUMBUS, OHIO 43218-3990	SIZE A		5962-90553
		REVISION LEVEL D	SHEET 11



NOTES:

1. $C_L = 50 \text{ pF}$ or equivalent (includes test jig and probe capacitance).
2. Input signal from pulse generator: $V_{IN} = 0.0 \text{ V}$ to V_{CC} ; $\text{PRR} \leq 1 \text{ MHz}$; $Z_O = 50 \Omega$; $t_r = 6.0 \text{ ns}$; $t_f = 6.0 \text{ ns}$; t_r and t_f shall be measured from $0.1 V_{CC}$ to $0.9 V_{CC}$ and from $0.9 V_{CC}$ to $0.1 V_{CC}$, respectively; duty cycle = 50 percent.
3. The outputs are measured one at a time with one transition per measurement.

FIGURE 5. Switching waveforms and test circuit.

STANDARD MICROCIRCUIT DRAWING DLA LAND AND MARITIME COLUMBUS, OHIO 43218-3990	SIZE A		5962-90553
		REVISION LEVEL D	SHEET 12

4. VERIFICATION

4.1 Sampling and inspection. Sampling and inspection procedures shall be in accordance with MIL-PRF-38535, appendix A.

4.2 Screening. Screening shall be in accordance with method 5004 of MIL-STD-883, and shall be conducted on all devices prior to quality conformance inspection. The following additional criteria shall apply:

a. Burn-in test, method 1015 of MIL-STD-883.

(1) Test condition A, B, C, or D. The test circuit shall be maintained by the manufacturer under document revision level control and shall be made available to the preparing or acquiring activity upon request. The test circuit shall specify the inputs, outputs, biases, and power dissipation, as applicable, in accordance with the intent specified in method 1015 of MIL-STD-883.

(2) T_A = +125°C, minimum.

b. Interim and final electrical test parameters shall be as specified in table II herein, except interim electrical parameter tests prior to burn-in are optional at the discretion of the manufacturer.

TABLE II. Electrical test requirements.

MIL-STD-883 test requirements	Subgroups (in accordance with MIL-STD-883, method 5005, table I)
Interim electrical parameters (method 5004)	----
Final electrical test parameters (method 5004)	1*, 2, 3, 7, 8, 9
Group A test requirements (method 5005)	1, 2, 3, 4, 7, 8, 9, 10**, 11**
Groups C and D end-point electrical parameters (method 5005)	1, 2, 3

* PDA applies to subgroup 1.

** Subgroups 10 and 11, if not tested, shall be guaranteed to the specified limits in table I.

4.3 Quality conformance inspection. Quality conformance inspection shall be in accordance with method 5005 of MIL-STD-883 including groups A, B, C, and D inspections. The following additional criteria shall apply.

4.4 Group A inspection.

a. Tests shall be as specified in table II herein.

b. Subgroups 5 and 6 in table I, method 5005 of MIL-STD-883 shall be omitted.

c. Subgroup 4 (C_{IN} measurement) shall be measured only for the initial test and after process or design changes which may affect capacitance. Capacitance shall be measured between the designated terminal and GND at a frequency of 1 MHz. Test all applicable pins on 5 devices with zero failures.

d. Subgroups 7 and 8 tests shall include verification of the truth table as specified on figure 2 herein.

STANDARD MICROCIRCUIT DRAWING DLA LAND AND MARITIME COLUMBUS, OHIO 43218-3990	SIZE A		5962-90553
		REVISION LEVEL D	SHEET 13

4.3.2 Groups C and D inspections.

- a. End-point electrical parameters shall be as specified in table II herein.
- b. Steady-state life test conditions, method 1005 of MIL-STD-883.
 - (1) Test condition A, B, C, or D. The test circuit shall be maintained by the manufacturer under document revision level control and shall be made available to the preparing or acquiring activity upon request. The test circuit shall specify the inputs, outputs, biases, and power dissipation, as applicable, in accordance with the intent specified in method 1005 of MIL-STD-883.
 - (2) TA = +125°C, minimum.
 - (3) Test duration: 1,000 hours, except as permitted by method 1005 of MIL-STD-883.

5. PACKAGING

5.1 Packaging requirements. The requirements for packaging shall be in accordance with MIL-PRF-38535, appendix A.

6. NOTES

6.1 Intended use. Microcircuits conforming to this drawing are intended for use for Government microcircuit applications (original equipment), design applications, and logistics purposes.

6.2 Replaceability. Microcircuits covered by this drawing will replace the same generic device covered by a contractor-prepared specification or drawing.

6.3 Configuration control of SMD's. All proposed changes to existing SMD's will be coordinated with the users of record for the individual documents. This coordination will be accomplished using DD Form 1692, Engineering Change Proposal or email communication.

6.4 Record of users. Military and industrial users shall inform DLA Land and Maritime when a system application requires configuration control and the applicable SMD to that system. DLA Land and Maritime will maintain a record of users and this list will be used for coordination and distribution of changes to the drawings. Users of drawings covering microelectronics devices (FSC 5962) should contact DLA Land and Maritime-VA, telephone (614) 692-8108.

6.5 Comments. Comments on this drawing should be directed to DLA Land and Maritime-VA, Columbus, Ohio 43218-3990, or telephone (614) 692-0591.

6.6 Approved sources of supply. Approved sources of supply are listed in MIL-HDBK-103 and QML-38535. The vendors listed in MIL-HDBK-103 and QML-38535 have agreed to this drawing and a certificate of compliance (see 3.6 herein) has been submitted to and accepted by DLA Land and Maritime-VA.

STANDARD MICROCIRCUIT DRAWING DLA LAND AND MARITIME COLUMBUS, OHIO 43218-3990	SIZE A		5962-90553
		REVISION LEVEL D	SHEET 14

STANDARD MICROCIRCUIT DRAWING BULLETIN

DATE: 23-06-29

Approved sources of supply for SMD 5962-90553 are listed below for immediate acquisition information only and shall be added to MIL-HDBK-103 and QML-38535 during the next revision. MIL-HDBK-103 and QML-38535 will be revised to include the addition or deletion of sources. The vendors listed below have agreed to this drawing and a certificate of compliance has been submitted to and accepted by DLA Land and Maritime-VA. This information bulletin is superseded by the next dated revision of MIL-HDBK-103 and QML-38535. DLA Land and Maritime maintains an online database of all current sources of supply at.

<https://landandmaritimeapps.dla.mil/programs/smcr/>.

Standard microcircuit drawing PIN <u>1/</u>	Vendor CAGE number	Vendor similar PIN <u>2/</u>
5962-9055301EA	01295	CD54HC40103F3A

1/ The lead finish shown for each PIN representing a hermetic package is the most readily available from the manufacturer listed for that part. If the desired lead finish is not listed contact the vendor to determine its availability.

2/ Caution. Do not use this number for item acquisition. Items acquired to this number may not satisfy the performance requirements of this drawing.

Vendor CAGE
number

01295

Vendor name
and address

Texas Instruments Inc.
Semiconductor Group
8505 Forest Ln.
P.O. Box 660199
Dallas, TX 75243

The information contained herein is disseminated for convenience only and the Government assumes no liability whatsoever for any inaccuracies in the information bulletin.