

**REVISIONS**

LTR	DESCRIPTION	DATE (YR-MO-DA)	APPROVED
E	Add vendor CAGE 18714. Delete vendor 31019. Technical changes to table I. Change drawing CAGE to 67268. Editorial changes throughout – jak.	89-06-23	Michael A. Frye
F	Update boilerplate to MIL-PRF-38535 requirements. – jak	01-03-02	Thomas M. Hess
G	Made change to paragraph 3.5. Update boilerplate to MIL-PRF-38535 requirements. – LTG	05-03-14	Thomas M. Hess
H	Update boilerplate paragraphs to the current MIL-PRF-38535 requirements. - LTG	11-05-19	David J. Corbett
J	Update boilerplate paragraphs to the current MIL-PRF-38535 requirements. - LTG	18-03-27	Thomas M. Hess



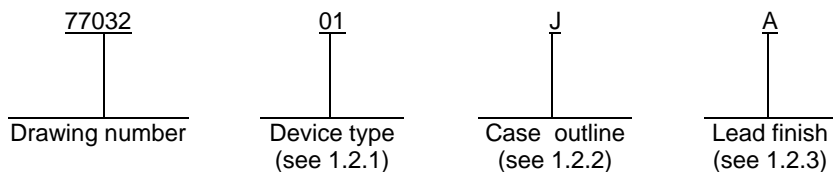
**CURRENT CAGE CODE 67268**

REV																				
SHEET																				
REV																				
SHEET																				
REV STATUS	REV	J	J	J	J	J	J	J	J	J	J	J	J	J						
OF SHEETS	SHEET	1	2	3	4	5	6	7	8	9	10	11								
PMIC N/A	PREPARED BY A. J. Foley	<p align="center"><b>DLA LAND AND MARITIME</b>  <b>COLUMBUS, OHIO 43218-3990</b>  <a href="http://www.dla.mil/landandmaritime">http://www.dla.mil/landandmaritime</a></p>																		
<p align="center"><b>STANDARD MICROCIRCUIT DRAWING</b></p> <p>THIS DRAWING IS AVAILABLE FOR USE BY ALL DEPARTMENTS AND AGENCIES OF THE DEPARTMENT OF DEFENSE</p> <p align="center">AMSC N/A</p>	CHECKED BY C. R. Jackson																			
	APPROVED BY Nelson A. Hauck	<p align="center">MICROCIRCUIT, DIGITAL, CMOS, 4-BIT LATCH, 4-TO-16 LINE DECODER, MONOLITHIC SILICON</p>																		
	DRAWING APPROVAL DATE 77-09-26																			
	REVISION LEVEL J	SIZE A	CAGE CODE <b>14933</b>	<b>77032</b>																
		SHEET		1 OF 11																

1. SCOPE

1.1 Scope. This drawing describes device requirements for MIL-STD-883 compliant, non-JAN class level B microcircuits in accordance with MIL-PRF-38535, appendix A.

1.2 Part or Identifying Number (PIN). The complete PIN is as shown in the following example:



1.2.1 Device type(s). The device type(s) identify the circuit function as follows:

<u>Device type</u>	<u>Generic number</u>	<u>Circuit function</u>
01	4515B	4-bit latch, 4-to-16 line decoder

1.2.2 Case outline(s). The case outline(s) are as designated in MIL-STD-1835 and as follows:

<u>Outline letter</u>	<u>Descriptive designator</u>	<u>Terminals</u>	<u>Package style</u>
J	GDIP1-T24 or CDIP2-T24	24	Dual-in-line
Z	GDFP7-F24 or CDFP8-F24	24	Flat pack

1.2.3 Lead finish. The lead finish is as specified in MIL-PRF-38535, appendix A.

1.3 Absolute maximum ratings. <sup>1/</sup>

Supply voltage range ( $V_{DD}$ ) .....	-0.5 V dc to +20.0 V dc <sup>2/</sup>
Input voltage range .....	-0.5 V dc to $V_{DD} + 0.5$ V dc
DC input current (any one input) .....	$\pm 10$ mA
Storage temperature range ( $T_{STG}$ ) .....	-65°C to +150°C
Maximum power dissipation ( $P_D$ ) .....	500 mW <sup>3/</sup>
Lead temperature (soldering, 10 seconds) .....	+265°C
Thermal resistance, junction-to-case ( $\theta_{JC}$ ) .....	See MIL-STD-1835
Junction temperature ( $T_J$ ) .....	+175°C

1.4 Recommended operating conditions.

Supply voltage range ( $V_{DD}$ ) .....	+3.0 V dc to +15.0 V dc
Minimum high level input voltage ( $V_{IH}$ ) .....	+3.5 V dc
Maximum low level input voltage ( $V_{IL}$ ) .....	+1.5 V dc
Case operating temperature range ( $T_C$ ) .....	-55°C to +125°C

<sup>1/</sup> Stresses above the absolute maximum rating may cause permanent damage to the device. Extended operation at the maximum levels may degrade performance and affect reliability.  
<sup>2/</sup> Voltages referenced to the  $V_{SS}$  terminal.  
<sup>3/</sup> For  $T_A = +100^\circ\text{C}$  to  $+125^\circ\text{C}$ , derate linearly at 12 mW/°C to 200 mW.

<b>STANDARD MICROCIRCUIT DRAWING</b> DLA LAND AND MARITIME COLUMBUS, OHIO 43218-3990	SIZE <b>A</b>		<b>77032</b>
		REVISION LEVEL <b>J</b>	SHEET <b>2</b>

## 2. APPLICABLE DOCUMENTS

2.1 Government specification, standards, and handbooks. The following specification, standards, and handbooks form a part of this drawing to the extent specified herein. Unless otherwise specified, the issues of these documents are those cited in the solicitation or contract.

### DEPARTMENT OF DEFENSE SPECIFICATION

MIL-PRF-38535 - Integrated Circuits, Manufacturing, General Specification for.

### DEPARTMENT OF DEFENSE STANDARDS

MIL-STD-883 - Test Method Standard Microcircuits.  
MIL-STD-1835 - Interface Standard Electronic Component Case Outlines.

### DEPARTMENT OF DEFENSE HANDBOOKS

MIL-HDBK-103 - List of Standard Microcircuit Drawings.  
MIL-HDBK-780 - Standard Microcircuit Drawings.

(Copies of these documents are available online at <http://quicksearch.dla.mil/> or from the Standardization Document Order Desk, 700 Robbins Avenue, Building 4D, Philadelphia, PA 19111-5094).

2.2 Order of precedence. In the event of a conflict between the text of this drawing and the references cited herein, the text of this drawing takes precedence. Nothing in this document, however, supersedes applicable laws and regulations unless a specific exemption has been obtained.

## 3. REQUIREMENTS

3.1 Item requirements. The individual item requirements shall be in accordance with MIL-PRF-38535, appendix A for non-JAN class level B devices and as specified herein. Product built to this drawing that is produced by a Qualified Manufacturer Listing (QML) certified and qualified manufacturer or a manufacturer who has been granted transitional certification to MIL-PRF-38535 may be processed as QML product in accordance with the manufacturers approved program plan and qualifying activity approval in accordance with MIL-PRF-38535. This QML flow as documented in the Quality Management (QM) plan may make modifications to the requirements herein. These modifications shall not affect form, fit, or function of the device. These modifications shall not affect the PIN as described herein. A "Q" or "QML" certification mark in accordance with MIL-PRF-38535 is required to identify when the QML flow option is used.

3.2 Design, construction, and physical dimensions. The design, construction, and physical dimensions shall be as specified in MIL-PRF-38535, appendix A and herein.

3.2.1 Case outlines. The case outlines shall be in accordance with 1.2.2 herein.

3.2.2 Terminal connections. The terminal connections shall be as specified on figure 1.

3.2.3 Truth table. The truth table shall be as specified on figure 2.

3.2.4 Logic diagram. The logic diagram shall be as specified on figure 3.

3.2.5 Switching waveforms and test circuit. The switching waveforms and test circuit shall be as specified on figure 4.

<b>STANDARD MICROCIRCUIT DRAWING</b> DLA LAND AND MARITIME COLUMBUS, OHIO 43218-3990	SIZE <b>A</b>		<b>77032</b>
		REVISION LEVEL J	SHEET 3

3.3 Electrical performance characteristics. Unless otherwise specified herein, the electrical performance characteristics are as specified in table I and shall apply over the full case operating temperature range.

3.4 Electrical test requirements. The electrical test requirements shall be the subgroups specified in table II. The electrical tests for each subgroup are described in table I.

3.5 Marking. Marking shall be in accordance with MIL-PRF-38535, appendix A. The part shall be marked with the PIN listed in 1.2 herein. In addition, the manufacturer's PIN may also be marked. For packages where marking of the entire SMD PIN number is not feasible due to space limitations, the manufacturer has the option of not marking the "5962-" on the device.

3.5.1 Certification/compliance mark. A compliance indicator "C" shall be marked on all non-JAN devices built in compliance to MIL-PRF-38535, appendix A. The compliance indicator "C" shall be replaced with a "Q" or "QML" certification mark in accordance with MIL-PRF-38535 to identify when the QML flow option is used.

3.6 Certificate of compliance. A certificate of compliance shall be required from a manufacturer in order to be listed as an approved source of supply in MIL-HDBK-103 (see 6.6 herein). The certificate of compliance submitted to DLA Land and Maritime -VA prior to listing as an approved source of supply shall affirm that the manufacturer's product meets the requirements of MIL-PRF-38535, appendix A and the requirements herein.

3.7 Certificate of conformance. A certificate of conformance as required in MIL-PRF-38535, appendix A shall be provided with each lot of microcircuits delivered to this drawing.

3.8 Notification of change. Notification of change to DLA Land and Maritime -VA shall be required for any change that affects this drawing.

3.9 Verification and review. DLA Land and Maritime, DLA Land and Maritime's agent, and the acquiring activity retain the option to review the manufacturer's facility and applicable required documentation. Offshore documentation shall be made available onshore at the option of the reviewer.

<b>STANDARD MICROCIRCUIT DRAWING</b> DLA LAND AND MARITIME COLUMBUS, OHIO 43218-3990	SIZE <b>A</b>		<b>77032</b>
		REVISION LEVEL J	SHEET 4

TABLE I. Electrical performance characteristics.

Test	Symbol	Test conditions -55°C ≤ T <sub>C</sub> ≤ +125°C unless otherwise specified		Group A subgroups	Limits		Unit
					Min	Max	
Quiescent supply current	I <sub>DD</sub>	V <sub>DD</sub> = 5.0 V <u>1</u> / V <sub>IN</sub> = 0.0 V or V <sub>DD</sub>		1, 3		5.0	μA
				2		150.0	
		V <sub>DD</sub> = 10.0 V <u>1</u> / V <sub>IN</sub> = 0.0 V or V <sub>DD</sub>		1, 3		10.0	
				2		300.0	
		V <sub>DD</sub> = 15.0 V <u>1</u> / V <sub>IN</sub> = 0.0 V or V <sub>DD</sub>		1, 3		20.0	
				2		600.0	
		V <sub>DD</sub> = 20.0 V V <sub>IN</sub> = 0.0 V or V <sub>DD</sub>		1, 3		20.0	
				2		3.0	
High-level output voltage	V <sub>OH</sub>	V <sub>IN</sub> = 0.0 V or V <sub>DD</sub> I <sub>OH</sub> = -1.0 μA		V <sub>DD</sub> = 5.0 V <u>1</u> / 1, 2, 3	4.95		V
				V <sub>DD</sub> = 10.0 V <u>1</u> / 1, 2, 3	9.95		
				V <sub>DD</sub> = 15.0 V 1, 2, 3	14.95		
Low-level output voltage	V <sub>OL</sub>	V <sub>IN</sub> = 0.0 V or V <sub>DD</sub> I <sub>OL</sub> = +1.0 μA		V <sub>DD</sub> = 5.0 V <u>1</u> / 1, 2, 3		0.05	V
				V <sub>DD</sub> = 10.0 V <u>1</u> / 1, 2, 3		0.05	
				V <sub>DD</sub> = 15.0 V 1, 2, 3		0.05	
Low-level input voltage	V <sub>IL</sub>	V <sub>DD</sub> = 5.0 V V <sub>O</sub> = 0.5 V or 4.5 V		1, 2, 3		1.5	V
				V <sub>DD</sub> = 10.0 V V <sub>O</sub> = 1.0 V or 9.0 V <u>1</u> / 1, 2, 3		3.0	
				V <sub>DD</sub> = 15.0 V V <sub>O</sub> = 1.5 V or 13.5 V 1, 2, 3		4.0	
High-level input voltage	V <sub>IH</sub>	V <sub>DD</sub> = 5.0 V V <sub>O</sub> = 0.5 V or 4.5 V		1, 2, 3	3.5		V
				V <sub>DD</sub> = 10.0 V V <sub>O</sub> = 1.0 V or 9.0 V <u>1</u> / 1, 2, 3	7.0		
				V <sub>DD</sub> = 15.0 V V <sub>O</sub> = 1.5 V or 13.5 V 1, 2, 3	11.0		
Low-level output current	I <sub>OL</sub>	V <sub>DD</sub> = 5.0 V V <sub>O</sub> = 0.4 V V <sub>IN</sub> = 0.0 V or V <sub>DD</sub>		1	0.51		mA
				2	0.36		
				3	0.64		
		V <sub>DD</sub> = 10.0 V <u>1</u> / V <sub>O</sub> = 0.5 V V <sub>IN</sub> = 0.0 V or V <sub>DD</sub>		1	1.3		
				2	0.9		
				3	1.6		
		V <sub>DD</sub> = 15.0 V <u>1</u> / V <sub>O</sub> = 1.5 V V <sub>IN</sub> = 0.0 V or V <sub>DD</sub>		1	3.4		
				2	2.4		
				3	4.2		

See footnotes at end of table.

<b>STANDARD MICROCIRCUIT DRAWING</b> DLA LAND AND MARITIME COLUMBUS, OHIO 43218-3990	SIZE <b>A</b>		<b>77032</b>
		REVISION LEVEL <b>J</b>	SHEET <b>5</b>

TABLE I. Electrical performance characteristics - Continued.

Test	Symbol	Test conditions -55°C ≤ T <sub>C</sub> ≤ +125°C unless otherwise specified	Group A subgroups	Limits		Unit
				Min	Max	
High-level output current	I <sub>OH</sub>	V <sub>DD</sub> = 5.0 V V <sub>O</sub> = 4.6 V V <sub>IN</sub> = 0.0 V or V <sub>DD</sub>	1	-0.51		mA
			2	-0.36		
			3	-0.64		
			1	-1.6		
			2	-1.15		
			3	-2.0		
		V <sub>DD</sub> = 5.0 V V <sub>O</sub> = 2.5 V V <sub>IN</sub> = 0.0 V or V <sub>DD</sub>	1	-1.3		
			2	-0.9		
			3	-1.60		
		V <sub>DD</sub> = 10.0 V <u>1/</u> V <sub>O</sub> = 9.5 V V <sub>IN</sub> = 0.0 V or V <sub>DD</sub>	1	-3.4		
			2	-2.4		
			3	-4.2		
Input current	I <sub>IN</sub>	V <sub>DD</sub> = 20.0 V V <sub>IN</sub> = 0.0 V or V <sub>DD</sub>	1, 3		±0.1	μA
			2		±1.0	
Input capacitance	C <sub>IN</sub>	V <sub>IN</sub> = 0.0 V , See 4.3.1c	4		7.5	pF
Functional test		See 4.3.1d	7, 8			
Minimum strobe pulse width (any input)	t <sub>w</sub>	R <sub>L</sub> = 200 kΩ C <sub>L</sub> = 50 pF t <sub>r</sub> = t <sub>f</sub> = 20 ns See figure 4	V <sub>DD</sub> = 5.0 V <u>1/</u>	9, 10, 11	250	ns
			V <sub>DD</sub> = 10.0 V <u>1/</u>	9, 10, 11	100	
			V <sub>DD</sub> = 15.0 V <u>1/</u>	9, 10, 11	75	
Minimum data setup time	t <sub>s</sub>		V <sub>DD</sub> = 5.0 V <u>1/</u>	9, 10, 11	150	ns
			V <sub>DD</sub> = 10.0 V <u>1/</u>	9, 10, 11	70	
			V <sub>DD</sub> = 15.0 V <u>1/</u>	9, 10, 11	40	
Transition time	t <sub>THL</sub> , t <sub>TLH</sub>	V <sub>DD</sub> = 5.0 V	9	2.0	360	ns
			10, 11	2.0	540	
			9	2.0	180	
			10, 11	2.0	270	
			9	2.0	130	
			10, 11	2.0	190	
Propagation delay time, strobe or data	t <sub>PHL1</sub> , t <sub>PLH1</sub>	V <sub>DD</sub> = 5.0 V	9	2.0	1100	ns
			10, 11	2.0	1650	
			9	2.0	450	
			10, 11	2.0	675	
			9	2.0	330	
			10, 11	2.0	495	

See footnotes at end of table.

**STANDARD  
MICROCIRCUIT DRAWING**  
DLA LAND AND MARITIME  
COLUMBUS, OHIO 43218-3990

SIZE  
**A**

**77032**

REVISION LEVEL  
**J**

SHEET  
**6**

TABLE I. Electrical performance characteristics - Continued.

Test	Symbol	Test conditions -55°C ≤ T <sub>C</sub> ≤ +125°C unless otherwise specified	Group A subgroups	Limits		Unit	
				Min	Max		
Inhibit propagation delay time	t <sub>PHL2</sub> , t <sub>PLH2</sub>	R <sub>L</sub> = 200 kΩ C <sub>L</sub> = 50 pF t <sub>r</sub> = t <sub>f</sub> = 20 ns See figure 4	V <sub>DD</sub> = 5.0 V	9	2.0	800	ns
				10, 11	2.0	1200	
			V <sub>DD</sub> = 10.0 V <u>1/</u>	9	2.0	300	
				10, 11	2.0	450	
			V <sub>DD</sub> = 15.0 V <u>1/</u>	9	2.0	250	
				10, 11	2.0	375	

1/ This parameter is guaranteed, if not tested, to the specified limits in table I.

Device type	01
Case outlines	J, Z
Terminal number	Terminal symbol
1	STROBE
2	DATA 1
3	DATA 2
4	S7
5	S6
6	S5
7	S4
8	S3
9	S1
10	S2
11	S0
12	V <sub>SS</sub>
13	S13
14	S12
15	S15
16	S14
17	S9
18	S8
19	S11
20	S10
21	DATA 3
22	DATA4
23	INHIBIT
24	V <sub>DD</sub>

FIGURE 1. Terminal connections.

<b>STANDARD MICROCIRCUIT DRAWING</b> DLA LAND AND MARITIME COLUMBUS, OHIO 43218-3990	<b>SIZE A</b>		<b>77032</b>
		REVISION LEVEL <b>J</b>	SHEET <b>7</b>

Decode truth table (Strobe = 1)

Inhibit	Data inputs				Select output Logic
	D	C	B	A	
0	0	0	0	0	S0
0	0	0	0	1	S1
0	0	0	1	0	S2
0	0	0	1	1	S3
0	0	1	0	0	S4
0	0	1	0	1	S5
0	0	1	1	0	S6
0	0	1	1	1	S7
0	1	0	0	0	S8
0	1	0	0	1	S9
0	1	0	1	0	S10
0	1	0	1	1	S11
0	1	1	0	0	S12
0	1	1	0	1	S13
0	1	1	1	0	S14
0	1	1	1	1	S15
1	X	X	X	X	All Outputs = 1

1 = High logic level  
 0 = Low logic level  
 X = irrelevant

FIGURE 2. Truth table.

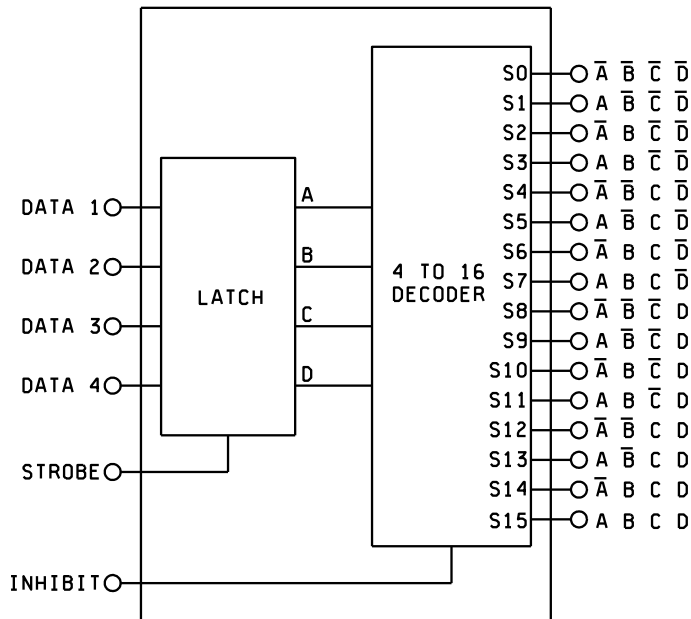


FIGURE 3. Logic diagram.

**STANDARD  
 MICROCIRCUIT DRAWING**  
 DLA LAND AND MARITIME  
 COLUMBUS, OHIO 43218-3990

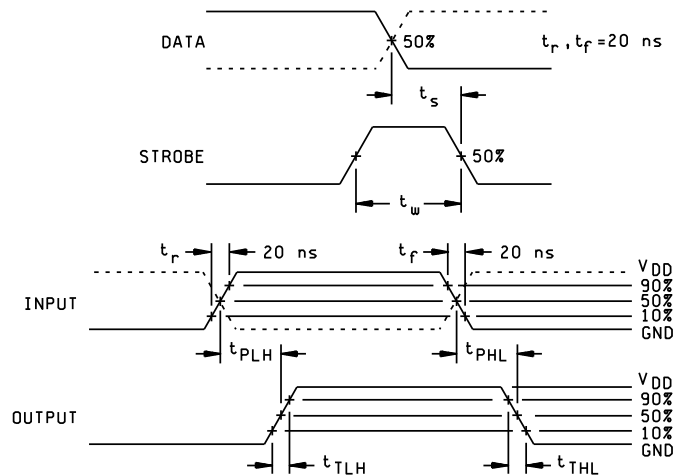
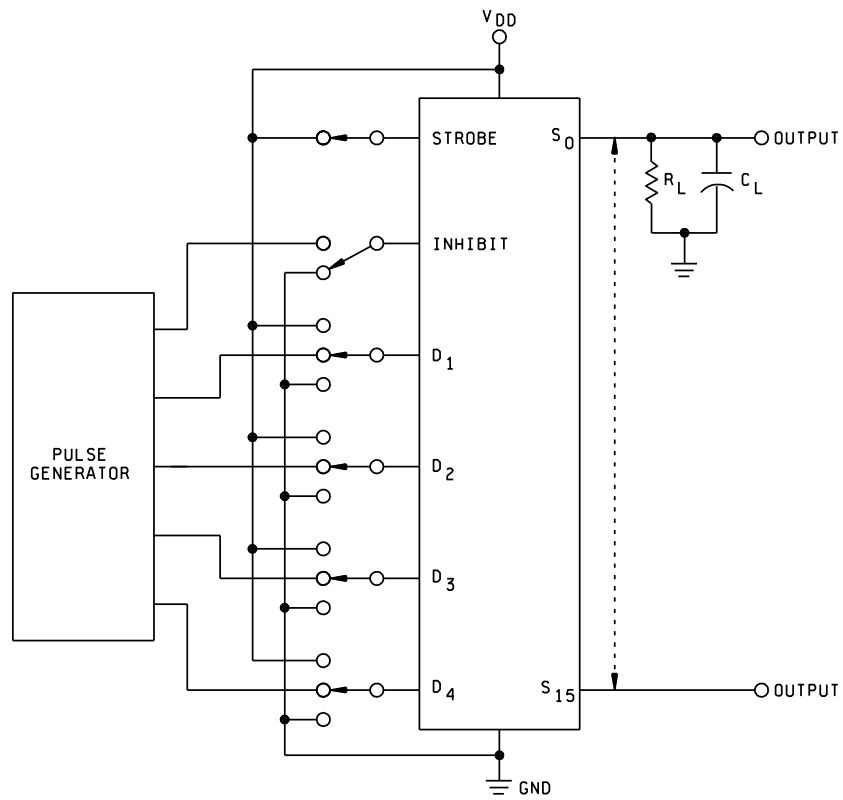
SIZE  
**A**

**77032**

REVISION LEVEL  
**J**

SHEET  
**8**





NOTES:

1. All unused inputs shall be tied to  $V_{DD}$  or GND
2.  $R_L = 200 \text{ k}\Omega \pm 5\%$
3.  $C_L = 50 \text{ pF} \pm 5\%$  (including wiring and probe capacitance)

FIGURE 4. Switching waveforms and test circuit.

**STANDARD  
MICROCIRCUIT DRAWING**  
DLA LAND AND MARITIME  
COLUMBUS, OHIO 43218-3990

SIZE  
**A**

**77032**

REVISION LEVEL  
**J**

SHEET  
**9**

4. VERIFICATION

4.1 Sampling and inspection. Sampling and inspection procedures shall be in accordance with MIL-PRF-38535, appendix A.

4.2 Screening. Screening shall be in accordance with method 5004 of MIL-STD-883, and shall be conducted on all devices prior to quality conformance inspection. The following additional criteria shall apply:

- a. Burn-in test, method 1015 of MIL-STD-883.
  - (1) Test condition A, B, C, or D. The test circuit shall be maintained by the manufacturer under document revision level control and shall be made available to the preparing or acquiring activity upon request. The test circuit shall specify the inputs, outputs, biases, and power dissipation, as applicable, in accordance with the intent specified in method 1015 of MIL-STD-883.
  - (2)  $T_A = +125^{\circ}\text{C}$ , minimum.
- b. Interim and final electrical test parameters shall be as specified in table II herein, except interim electrical parameter tests prior to burn-in are optional at the discretion of the manufacturer.

TABLE II. Electrical test requirements.

MIL-STD-883 test requirements	Subgroups (in accordance with MIL-STD-883, method 5005, table I)
Interim electrical parameters (method 5004)	- - -
Final electrical test parameters (method 5004)	1, 2, 3, 7, 9 <u>1/</u>
Group A test requirements (method 5005)	1, 2, 3, 4, 7, 8, 9, 10, 11 <u>2/</u>
Groups C and D end-point electrical parameters (method 5005)	1, 2, 3

1/ PDA applies to subgroup 1.

2/ Subgroups 10 and 11, if not tested, shall be guaranteed to the specified limits in table I.

4.3 Quality conformance inspection. Quality conformance inspection shall be in accordance with method 5005 of MIL-STD-883 including groups A, B, C, and D inspections. The following additional criteria shall apply.

4.3.1 Group A inspection.

- a. Tests shall be as specified in table II herein.
- b. Subgroups 5 and 6 in table I, method 5005 of MIL-STD-883 shall be omitted.
- c. Subgroup 4 ( $C_{IN}$  measurement) shall be measured only for the initial test and after process or design changes which may affect input capacitance. Capacitance shall be measured between the designated terminal and  $V_{SS}$  at a frequency of 1 MHz. Test all applicable pins on 5 devices with zero failures.
- d. Subgroups 7 and 8 shall include verification of the truth table as specified on figure 2 herein.

<b>STANDARD MICROCIRCUIT DRAWING</b> DLA LAND AND MARITIME COLUMBUS, OHIO 43218-3990	SIZE <b>A</b>		<b>77032</b>
		REVISION LEVEL J	SHEET 10

4.3.2 Groups C and D inspections.

- a. End-point electrical parameters shall be as specified in table II herein.
- b. Steady-state life test conditions, method 1005 of MIL-STD-883.
  - (1) Test condition A, B, C, or D. The test circuit shall be maintained by the manufacturer under document revision level control and shall be made available to the preparing or acquiring activity upon request. The test circuit shall specify the inputs, outputs, biases, and power dissipation, as applicable, in accordance with the intent specified in method 1005 of MIL-STD-883.
  - (2)  $T_A = +125^{\circ}\text{C}$ , minimum.
  - (3) Test duration: 1,000 hours, except as permitted by method 1005 of MIL-STD-883.

5. PACKAGING

5.1 Packaging requirements. The requirements for packaging shall be in accordance with MIL-PRF-38535, appendix A.

6. NOTES

6.1 Intended use. Microcircuits conforming to this drawing are intended for use for Government microcircuit applications (original equipment), design applications, and logistics purposes.

6.2 Replaceability. Microcircuits covered by this drawing will replace the same generic device covered by a contractor-prepared specification or drawing.

6.3 Configuration control of SMD's. All proposed changes to existing SMD's will be coordinated with the users of record for the individual documents. This coordination will be accomplished using DD Form 1692, Engineering Change Proposal.

6.4 Record of users. Military and industrial users shall inform DLA Land and Maritime when a system application requires configuration control and the applicable SMD to that system. DLA Land and Maritime will maintain a record of users and this list will be used for coordination and distribution of changes to the drawings. Users of drawings covering microelectronics devices (FSC 5962) should contact DLA Land and Maritime-VA, telephone (614) 692-8108.

6.5 Comments. Comments on this drawing should be directed to DLA Land and Maritime-VA, Columbus, Ohio 43218-3990, or telephone (614) 692-0540.

6.6 Approved sources of supply. Approved sources of supply are listed in MIL-HDBK-103 and QML-38535. The vendors listed in MIL-HDBK-103 and QML-38535 have agreed to this drawing and a certificate of compliance (see 3.6 herein) has been submitted to and accepted by DLA Land and Maritime-VA.

<b>STANDARD MICROCIRCUIT DRAWING</b> DLA LAND AND MARITIME COLUMBUS, OHIO 43218-3990	SIZE <b>A</b>		<b>77032</b>
		REVISION LEVEL J	SHEET 11

STANDARD MICROCIRCUIT DRAWING BULLETIN

DATE: 18-03-27

Approved sources of supply for SMD 77032 are listed below for immediate acquisition information only and shall be added to MIL-HDBK-103 and QML-38535 during the next revision. MIL-HDBK-103 and QML-38535 will be revised to include the addition or deletion of sources. The vendors listed below have agreed to this drawing and a certificate of compliance has been submitted to and accepted by DLA Land and Maritime-VA. This information bulletin is superseded by the next dated revision of MIL-HDBK-103 and QML-38535. DLA Land and Maritime maintains an online database of all current sources of supply at: <https://landandmaritimeapps.dla.mil/programs/smcr/>

Standard microcircuit drawing PIN <u>1/</u>	Vendor CAGE number	Vendor similar PIN <u>2/</u>
7703201JA	01295	CD4515BF3A
7703201ZA	<u>3/</u>	BCL4515BF

1/ The lead finish shown for each PIN representing a hermetic package is the most readily available from the manufacturer listed for that part. If the desired lead finish is not listed contact the vendor to determine its availability.

2/ Caution. Do not use this number for item acquisition. Items acquired to this number may not satisfy the performance requirements of this drawing.

3/ Not available from an approved source of supply.

Vendor CAGE  
number

Vendor name  
and address

01295

Texas Instruments Inc.  
Semiconductor Group  
8505 Forest Ln.  
P.O. Box 660199  
Dallas, TX 75243

The information contained herein is disseminated for convenience only and the Government assumes no liability whatsoever for any inaccuracies in the information bulletin.