

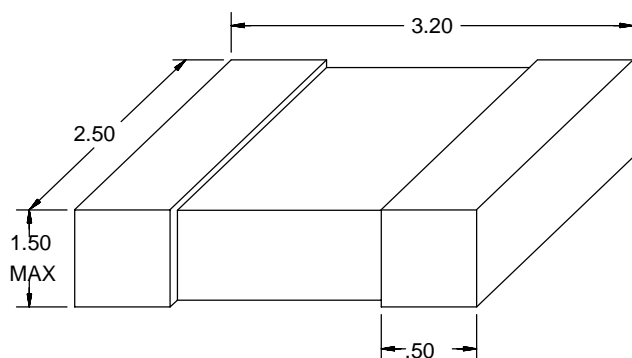
METRIC
MIL-PRF-55681/9C
12 December 2006
SUPERSEDING
MIL-PRF-55681/9B
3 July 1997

PERFORMANCE SPECIFICATION SHEET

CAPACITORS, CHIP, MULTIPLE LAYER, FIXED, CERAMIC DIELECTRIC,
ESTABLISHED RELIABILITY AND NON-ESTABLISHED RELIABILITY,
STYLE CDR33, METRIC

This specification sheet is approved for use by all Departments and Agencies
of the Department of Defense.

The requirements for acquiring the product described herein
shall consist of this specification sheet and [MIL-PRF-55681](#).



<u>mm</u>	<u>Inches</u>
0.50	.020
1.50	.059
2.50	.098
3.20	.125

*

NOTES:

1. Dimensions are in millimeters.
2. Unless otherwise specified, tolerance is ± 0.25 (.010).
3. Dimensions and tolerances are for bare chips. For solder coated terminations add 0.60 (.023) to the positive length tolerance and 0.30 (.012) to the positive width and thickness tolerance.
4. Inch equivalents are given for general information only.

FIGURE 1. Style CDR33 capacitors.

REQUIREMENTS:

Dimensions and configuration: See figure 1.

Capacitance value: See table I.

Capacitance tolerance: F = ± 1 percent; J = ± 5 percent; K = ± 10 percent; M = ± 20 percent. See table I.

Rated voltage: See table I.

Operating temperature range: -55°C to $+125^{\circ}\text{C}$.

* Product level designator: Non-established Reliability - C; Established Reliability - M, P, R, and S.

Marking: In accordance with [MIL-PRF-55681](#).

TABLE I. Style CDR33 capacitor characteristics.

Part or Identifying Number (PIN) ^{1/}	Capacitance pF	Capacitance tolerance	Rated temperature and voltage-temperature limits	Rated voltage V dc
CDR33BP102B ---	1,000	F, J, K	BP	100
CDR33BP112B ---	1,100	F, J, K	BP	100
CDR33BP122B ---	1,200	F, J, K	BP	100
CDR33BP132B ---	1,300	F, J, K	BP	100
CDR33BP152B ---	1,500	F, J, K	BP	100
CDR33BP162B ---	1,600	F, J, K	BP	100
CDR33BP182B ---	1,800	F, J, K	BP	100
CDR33BP202B ---	2,000	F, J, K	BP	100
CDR33BP222B ---	2,200	F, J, K	BP	100
CDR33BP242A ---	2,400	F, J, K	BP	50
CDR33BP272A ---	2,700	F, J, K	BP	50
CDR33BP302A ---	3,000	F, J, K	BP	50
CDR33BP332A ---	3,300	F, J, K	BP	50
CDR33BX153B ---	15,000	K, M	BX	100
CDR33BX183B ---	18,000	K, M	BX	100
CDR33BX223B ---	22,000	K, M	BX	100
CDR33BX273B ---	27,000	K, M	BX	100
CDR33BX393A ---	39,000	K, M	BX	50
CDR33BX473A ---	47,000	K, M	BX	50
CDR33BX563A ---	56,000	K, M	BX	50
CDR33BX683A ---	68,000	K, M	BX	50
CDR33BX823A ---	82,000	K, M	BX	50
CDR33BX104A ---	100,000	K, M	BX	50

^{1/} The complete PIN will include additional symbols to indicate capacitance tolerance, termination, and product level.

* Changes from previous issue. The margins of this specification sheet are marked with asterisks to indicate where changes from the previous issue were made. This was done as a convenience only and the Government assumes no liability whatsoever for any inaccuracies in these notations. Bidders and contractors are cautioned to evaluate the requirements on this document on the entire content irrespective of the marginal notations and relationship to the last previous issue.

Custodians:

Army - CR
Navy - EC
Air Force – 11
DLA – CC

Review activities:

Navy - AS, MC, OS, SH
Air Force - 19, 99

Preparing activity:
Army - CR

Agent:
DLA - CC

(Project 5910-2006-053)

NOTE: The activities listed above were interested in this document as of the date of this document. Since organizations and responsibilities can change, you should verify the currency of the information above using the ASSIST Online database at <http://assist.daps.dla.mil> .