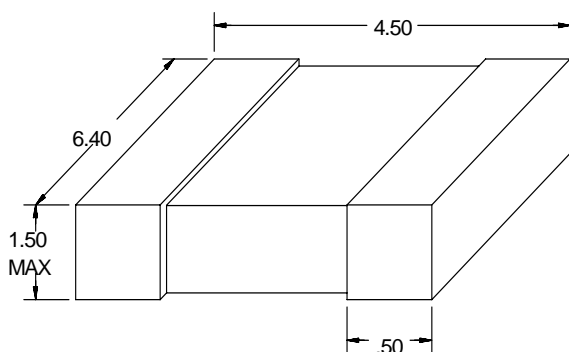


PERFORMANCE SPECIFICATION SHEET

CAPACITORS, CHIP, MULTIPLE LAYER, FIXED, CERAMIC DIELECTRIC,
 ESTABLISHED RELIABILITY AND NON-ESTABLISHED RELIABILITY,
 STYLE CDR35, METRIC

This specification sheet is approved for use by all Departments and Agencies of the Department of Defense.

The requirements for acquiring the product described herein shall consist of this specification sheet and [MIL-PRF-55681](#).



<u>mm</u>	<u>Inches</u>
0.50	.020
1.50	.059
4.50	.176
6.40	.250

NOTES:

1. Dimensions are in millimeters.
2. Unless otherwise specified, tolerance is ± 0.30 mm (.012 inch).
3. Dimensions and tolerances are for bare chips. For solder coated terminations add 0.60 mm (.023 inch) to the positive length tolerance and 0.30 mm (.012 inch) to the positive width and thickness tolerance.
4. Inch equivalents are given for general information only.

FIGURE 1. Style CDR35 capacitors.

MIL-PRF-55681/11C

REQUIREMENTS:

Dimensions and configuration: See figure 1.

Capacitance value: See table I.

Capacitance tolerance: F = ± 1 percent; J = ± 5 percent; K = ± 10 percent; M = ± 20 percent. See table I.

Rated voltage: See table I.

Operating temperature range: -55° C to $+125^{\circ}$ C.

* Product level designator: Non-established Reliability - C; Established Reliability - M, P, R, and S.

Marking: In accordance with MIL-PRF-55681.

TABLE I. Style CDR35 capacitor characteristics.

Part or Identifying Number (PIN) ^{1/}	Capacitance μ F	Capacitance tolerance	Rated temperature and voltage-temperature limits	Rated voltage V dc
CDR35BP472B ---	4,700	F, J, K	BP	100
CDR35BP512B ---	5,100	F, J, K	BP	100
CDR35BP562B ---	5,600	F, J, K	BP	100
CDR35BP622B ---	6,200	F, J, K	BP	100
CDR35BP682B ---	6,800	F, J, K	BP	100
CDR35BP752B ---	7,500	F, J, K	BP	100
CDR35BP822B ---	8,200	F, J, K	BP	100
CDR35BP912B ---	9,100	F, J, K	BP	100
CDR35BP103B ---	10,000	F, J, K	BP	100
CDR35BP113A ---	11,000	F, J, K	BP	50
CDR35BP123A ---	12,000	F, J, K	BP	50
CDR35BP133A ---	13,000	F, J, K	BP	50
CDR35BP153A ---	15,000	F, J, K	BP	50
CDR35BP163A ---	16,000	F, J, K	BP	50
CDR35BP183A ---	18,000	F, J, K	BP	50
CDR35BP203A ---	20,000	F, J, K	BP	50
CDR35BP223A ---	22,000	F, J, K	BP	50
CDR35BX563B ---	56,000	K, M	BX	100
CDR35BX683B ---	68,000	K, M	BX	100
CDR35BX823B ---	82,000	K, M	BX	100
CDR35BX104B ---	100,000	K, M	BX	100
CDR35BX124B ---	120,000	K, M	BX	100
CDR35BX154B ---	150,000	K, M	BX	100
CDR35BX184A ---	180,000	K, M	BX	50
CDR35BX224A ---	220,000	K, M	BX	50
CDR35BX274A ---	270,000	K, M	BX	50
CDR35BX334A ---	330,000	K, M	BX	50
CDR35BX394A ---	390,000	K, M	BX	50
CDR35BX474A ---	470,000	K, M	BX	50

^{1/} The complete PIN will include additional symbols to indicate capacitance tolerance, termination and product level.

- * Changes from previous issue. The margins of this specification sheet are marked with asterisks to indicate where changes from the previous issue were made. This was done as a convenience only and the Government assumes no liability whatsoever for any inaccuracies in these notations. Bidders and contractors are cautioned to evaluate the requirements on this document on the entire content irrespective of the marginal notations and relationship to the last previous issue.

Custodians:
Army - CR
Navy - EC
Air Force - 11
DLA - CC

Preparing activity:
Army - CR

Agent:
DLA -CC

Review activities:
Navy - AS, MC, OS, SH
Air Force - 19, 99

(Project 5910-2006-055)

- * NOTE: The activities listed above were interested in this document as of the date of this document. Since organizations and responsibilities can change, you should verify the currency of the information above using the ASSIST Online database at <http://assist.daps.dla.mil> .