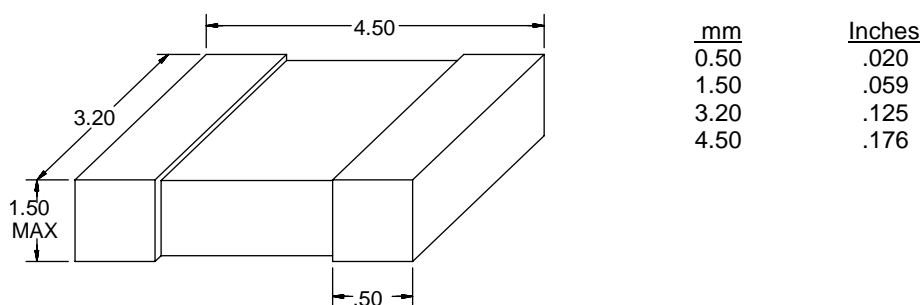


PERFORMANCE SPECIFICATION SHEET

CAPACITORS, CHIP, MULTIPLE LAYER, FIXED, CERAMIC DIELECTRIC,
 ESTABLISHED RELIABILITY AND NON-ESTABLISHED RELIABILITY,
 STYLE CDR34, METRIC

This specification sheet is approved for use by all Departments and Agencies of the Department of Defense.

The requirements for acquiring the product described herein shall consist of this specification sheet and [MIL-PRF-55681](#).



- * NOTES:
1. Dimensions are in millimeters.
 2. Unless otherwise specified, tolerance is ± 0.25 (.010).
 3. Dimensions and tolerances are for bare chips. For solder coated terminations add 0.60 (.023) to the positive length tolerance and 0.30 (.012) to the positive width and thickness tolerance.
 4. Inch equivalents are given for general information only.

FIGURE 1. Style CDR34 capacitors.

MIL-PRF-55681/10C

REQUIREMENTS:

Dimensions and configuration: See figure 1.

Capacitance value: See table I.

Capacitance tolerance: F = ±1 percent; J = ±5 percent; K = ±10 percent; M = ±20 percent. See table I.

Rated voltage: See table I.

Operating temperature range: -55°C to +125°C.

* Product level designator: Non-established Reliability - C; Established Reliability - M, P, R, and S.

Marking: In accordance with [MIL-PRF-55681](#).

TABLE I. Style CDR34 capacitor characteristics.

| Part or Identifying Number (PIN) ^{1/} | Capacitance pF | Capacitance tolerance | Rated temperature and voltage-temperature limits | Rated voltage V dc |
|------------------------------------------------|----------------|-----------------------|--------------------------------------------------|--------------------|
| CDR34BP222B --- | 2,200 | F, J, K | BP | 100 |
| CDR34BP242B --- | 2,400 | F, J, K | BP | 100 |
| CDR34BP272B --- | 2,700 | F, J, K | BP | 100 |
| CDR34BP302B --- | 3,000 | F, J, K | BP | 100 |
| CDR34BP332B --- | 3,300 | F, J, K | BP | 100 |
| CDR34BP362B --- | 3,600 | F, J, K | BP | 100 |
| CDR34BP392B --- | 3,900 | F, J, K | BP | 100 |
| CDR34BP432B --- | 4,300 | F, J, K | BP | 100 |
| CDR34BP472B --- | 4,700 | F, J, K | BP | 100 |
| CDR34BP512A --- | 5,100 | F, J, K | BP | 50 |
| CDR34BP562A --- | 5,600 | F, J, K | BP | 50 |
| CDR34BP622A --- | 6,200 | F, J, K | BP | 50 |
| CDR34BP682A --- | 6,800 | F, J, K | BP | 50 |
| CDR34BP752A --- | 7,500 | F, J, K | BP | 50 |
| CDR34BP822A --- | 8,200 | F, J, K | BP | 50 |
| CDR34BP912A --- | 9,100 | F, J, K | BP | 50 |
| CDR34BP103A --- | 10,000 | F, J, K | BP | 50 |
| CDR34BX273B --- | 27,000 | K, M | BX | 100 |
| CDR34BX333B --- | 33,000 | K, M | BX | 100 |
| CDR34BX393B --- | 39,000 | K, M | BX | 100 |
| CDR34BX473B --- | 47,000 | K, M | BX | 100 |
| CDR34BX563B --- | 56,000 | K, M | BX | 100 |
| CDR34BX104A --- | 100,000 | K, M | BX | 50 |
| CDR34BX124A --- | 120,000 | K, M | BX | 50 |
| CDR34BX154A --- | 150,000 | K, M | BX | 50 |
| CDR34BX184A --- | 180,000 | K, M | BX | 50 |

^{1/} The complete PIN will include additional symbols to indicate capacitance tolerance, termination, and product level.

* Changes from previous issue. The margins of this specification sheet are marked with asterisks to indicate where changes from the previous issue were made. This was done as a convenience only and the Government assumes no liability whatsoever for any inaccuracies in these notations. Bidders and contractors are cautioned to evaluate the requirements on this document on the entire content irrespective of the marginal notations and relationship to the last previous issue.

Custodians:

Army - CR
Navy - EC
Air Force - 11
DLA - CC

Review activities:

Navy - AS, MC, OS, SH
Air Force - 19, 99

Preparing activity:
Army - CR

Agent:
DLA - CC

(Project 5910-2006-054)

* NOTE: The activities listed above were interested in this document as of the date of this document. Since organizations and responsibilities can change, you should verify the currency of the information above using the ASSIST Online database at <http://assist.daps.dla.mil> .